

REF.	PRODUCT TYPE	DESCRIPTION	PART NUMBER	MSLP
		FUSION² 360 SERIES WATER SOFTENERS		
		<i>A premium softener with <u>exclusive</u> Waterite Fusion² 360 valve in Platinum Ice, with Midnight Black jacket and brine tank</i>		
		<i>Standard features include brine safely valve and NSF-certified Excelclear softening resin</i>		
		Fusion² 360 Electronic Meter Twin Tank Softeners		
1		Fusion ² 360 32K Grain Twin Tank Softener	F2360/32	
2		Fusion ² 360 40K Grain Twin Tank Softener	F2360/40	
3		Fusion ² 360 50K Grain Twin Tank Softener	F2360/50	
4		Fusion ² 360 60K Grain Twin Tank Softener	F2360/60	
5		Fusion ² 360 75K Grain Twin Tank Softener	F2360/75	
6		Fusion ² 360 90K Grain Twin Tank Softener	F2360/90	
7		Fusion ² 360 120K Grain Twin Tank Softener	F2360/120	
8		Fusion ² 360 150K Grain Twin Tank Softener	F2360/150	
		Fusion² 360 Electronic Meter Cabinet Softeners		
9	 FUSION² 360 WATER SOFTENERS	Fusion ² 360 24K Grain Cabinet Softener	F2360/24C	
10		Fusion ² 360 32K Grain Cabinet Softener	F2360/32C	
11		Fusion ² 360 32K Grain Cabinet Softener c/w Turbulator	F2360/32CT	
		FUSION² 360 SOFTENER ACCESSORIES		
		<i>Fusion² 360 bypass and tail kits must be ordered separately</i>		
		Bypass and Tail Kits for F2 And F2CC Valves		
12		F2 Bypass Assembly (tail kit not included)	V3006	
13		F2 Tail Kit, 1" PVC Male NPT Elbow Kit	V3007	
14		F2 Tail Kit, 3/4" and 1" PVC Male Solvent Elbow Kit	V300701	
15		F2 Tail Kit, 1" Brass Sweat Kit	V300702	
16		F2 Tail Kit, 3/4" Brass Sweat Kit	V300703	
17		F2 Tail Kit, 3/4" Sharkbite Push-On Ftgs for PEX, Copper and PVC	V300712	
18		F2 Tail Kit, 1" Sharkbite Push-On Ftgs for PEX, Copper and PVC	V300713	
19		F2 Drain Ftg., 1" Straight w/ Check Valve	V300802	
		Turbulators		
20		Turbulator for all Fusion ² Softeners (max. 60K grain)	1040021	
		Sharkbite Push-On Fittings for PEX and Copper Tube (each)		
21		Sharkbite Straight Coupling, 3/4"	U016	
22		Sharkbite Straight Coupling, 1"	U020	
23		Sharkbite Straight Reducing Coupling, 1/2" X 3/4"	U058	
24		Sharkbite Straight Reducing Coupling, 3/4 X 1"	U060	
25		Sharkbite Elbow, 3/4"	U256	
26		Sharkbite Elbow, 1"	U260	
27		Sharkbite Reducing Elbow, 1/2" X 3/4"	U274	
28		1/2" X 1/2" 90 Drain Fitting, Nylon	4602088	
		Tank and Brine Tank Components		
29	 Sharkbite fittings and adapters <i>Fusion² 360 water softeners are certified by the WQA to ANSI/NSF Standard 44 (20K to 90K sizes)</i> 	Fusion ² 360 Brine Cabinet Assembly (<i>cabinet and lids</i>)	ES32	
30		Fusion ² 360 Brine Cabinet Front Lid (<i>black</i>)	7030017	
31		Fusion ² 360 Brine Cabinet Rear Lid (<i>black</i>)	7030016	
32		Fusion ² 360 Brine Well and Cap	36543601	
33		Fusion ² 360 Brine Safety Valve Assembly	BV	
34		PE Tube, 3/8", Black, 50'	5938503	
35		Lower Distributor, 1"	D121304	
36		1" Upper Media Screen, Twist Lock	D1203	

REF.	PRODUCT TYPE	DESCRIPTION	P/N	LIST PRICE EA	
	 <p>Fusion² by Waterite Technologies</p> <p>WATER SOFTENERS <i>includes brine tank, brine well round tank jacket and safety float</i></p> <p>Fusion² Softener <i>featured in Midnight Black shown with the exclusive F2CC valve</i></p>  <p>F2TC Time Clock Softener Valve</p> <p>All Fusion² Softeners Feature Excelclear Standard or Optional Premium Softening Resin</p> 	<p>Fusion² Metered Water Softeners <i>A full-featured softener with exclusive F2CC valve downflow OR upflow brining, Intelogic Ultra control.</i> <i>All units in Midnight Black.</i></p> <p>20K Grain Softener</p> <p>30K Grain Softener</p> <p>40K Grain Softener</p> <p>50K Grain Softener</p> <p>60K Grain Softener</p> <p>75K Grain Softener</p> <p>90K Grain Softener</p> <p>120K Grain Softener</p> <p>150k Grain Softener,</p> <p>20K Grain Softener, Cabinet (platinum only)</p> <p>30K Grain Softener, Cabinet (platinum only)</p> <p>For Upflow Brining F2CC Softeners, specify and add:</p> <p>For Rectangle Tank Jacket, specify and add:</p>			
1					
2					
3					
4					
5					
6					
7					
8					
9					
10					
11					
12					
12a					
			<p>Fusion² Time Clock Water Softeners <i>A premium softener with the advanced F2TC valve solid state microprocessor, flow rates to 27 GPM.</i> <i>All units in Midnight Black.</i></p> <p>20K Grain Softener</p> <p>30K Grain Softener</p> <p>40K Grain Softener</p> <p>50K Grain Softener</p> <p>60K Grain Softener</p> <p>75K Grain Softener</p> <p>90K Grain Softener</p> <p>120K Grain Softener</p> <p>150k Grain Softener,</p> <p>20K Grain Softener, Cabinet (platinum only)</p> <p>30K Grain Softener, Cabinet (platinum only)</p>		
13					
14					
15					
16					
17					
18					
19					
20					
21					
22					
23					
			<p>Fusion² softeners must be ordered with bypass and tail kits.</p> <p>Bypass and Tail Kits for F2 And F2CC Valves</p> <p>F2 Bypass Assembly (<i>tail kit not included</i>)</p> <p>F2 Tail Kit, 1" PVC Male NPT Elbow Kit</p> <p>F2 Tail Kit, 3/4" and 1" PVC Male Solvent Elbow Kit</p> <p>F2 Tail Kit, 1" Brass Sweat Kit</p> <p>F2 Tail Kit, 3/4" Brass Sweat Kit</p> <p>F2 Tail Kit, 3/4" Sharkbite Push-On Ftgs for PEX, Copper and PVC</p> <p>F2 Tail Kit, 1" Sharkbite Push-On Ftgs for PEX, Copper and PVC</p> <p>F2 Drain Ftg., 1" Straight w/ Check Valve</p>		
24					
25					
26					
27					
28					
29					
30			<p>Turbulators</p> <p>Turbulator for all Fusion² Softeners (<i>max. 60K grain</i>)</p>		

REF.	PRODUCT TYPE	DESCRIPTION	P/N	LIST PRICE EA
		F2CC Filter and Softener Valves		
		<i>c/w Intelogic™ Ultra Control</i>		
31	F2CC/F2TC VALVES	F2CC Metered Upflow Softener Valve <i>(specify injector)</i>	V1CCUM	
32		F2CC Metered Downflow Softener Valve <i>(specify injector)</i>	V1CCDM	
33		F2TC Time Clock Softener Valve <i>(specify injector)</i>	V1TCDTF	
34		F2TC Time Clock Filter Valve	V1TCBTZ	
34b		F2WS1SP WS1 Metered/TC Valve with Solar Panel and Battery B/U	V1SPDME-P03	
		<i>Please note: Drain Line Flow Controls (DLFC) and bypass are not included in the above valves - please order separately.</i>		
		Other F2CC/F2TC Accessories		
35		F2 Dust and Sound Cover - White	V317502	
36		F2 Wrench	V3193	
37		Bypass Vertical Adapter Assembly <i>(diagram page 6)</i>	V319101	



Waterite F2CC Valve featuring the Intelogic™ Ultra Electronic Control

F2TC VALVE SPECIFICATIONS



Inlet/Outlet	1"
Cycles	2-5
Valve Material	Noryl (1)
FLOW RATES	
Service @15 psi drop (includes bypass)	27 gpm
Backwash @ 25 psi drop (includes bypass)	27 gpm
Cv Service	7.0
Cv Backwash	5.4
OPERATING PRESSURES	
Minimum/Maximum	20 psi - 125 psi
OPERATING TEMPERATURES	
Minimum/Maximum	40° - 110° F
Regeneration	downflow
DIMENSIONS	
Distributor Pilot	1" (1.050) OD Pipe
Drain Line	¾" or 1" NPT
Brine Line	¾" or ½" OD Poly tube
Mounting Base	2 ½" - 8 NPSM
Height From Top Of Tank	7 ¾"
Weight	4.5 lbs.
Current Draw and Voltage	0.5A 110v
TANK APPLICATIONS	
Water Softener	6" - 22" diameter
Water Filter (2)	6" - 22" diameter
CYCLES OF OPERATION (Softener Downflow)	
Cycle	Range of times min.
1. Backwash 1 st (upflow)	3 - 12
2. Regenerate Draw (downflow)	50 - 120
3. Backwash 2 nd (upflow)	3 - 12
4. Rinse (downflow)	3 - 8
5. Regenerant Refill (in service with treated water)	As Programmed
6. Service	

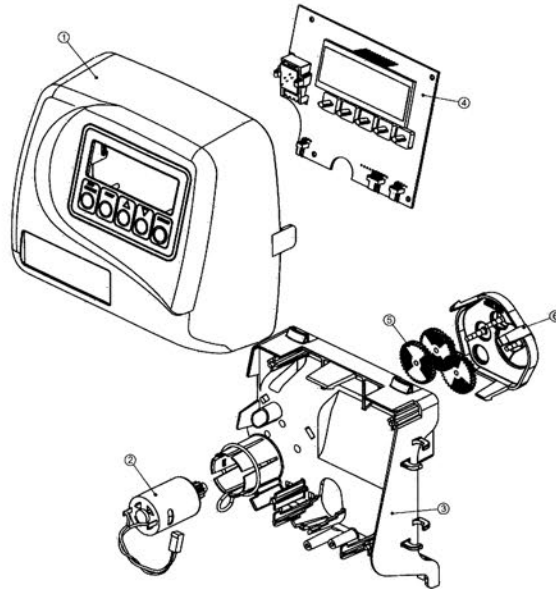
Options: Backwash Filter, ¾" & 1" inlet/outlet, Bypass, Weather Cover

Compatible with the following regenerants or chemicals: Sodium Chloride, potassium chloride, potassium permanganate, sodium bisulfite, sodium hydroxide, hydrochloric acid, chlorine and chloramines

- Noryl is a trademark of General Electric
- Filter tank size calculated @ 10 gpm per square foot of bed area

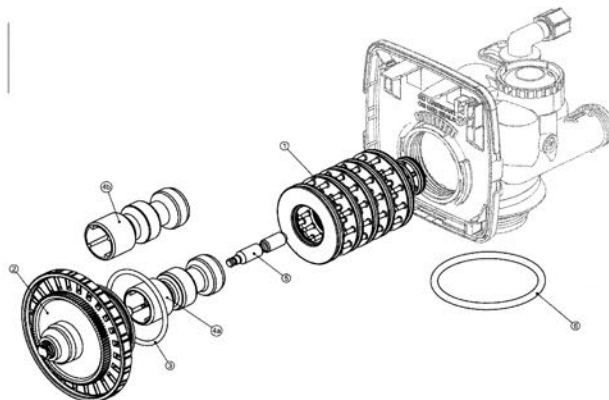


**PARTS
FRONT COVER AND DRIVE
ASSEMBLY
EXPLODED VIEW**



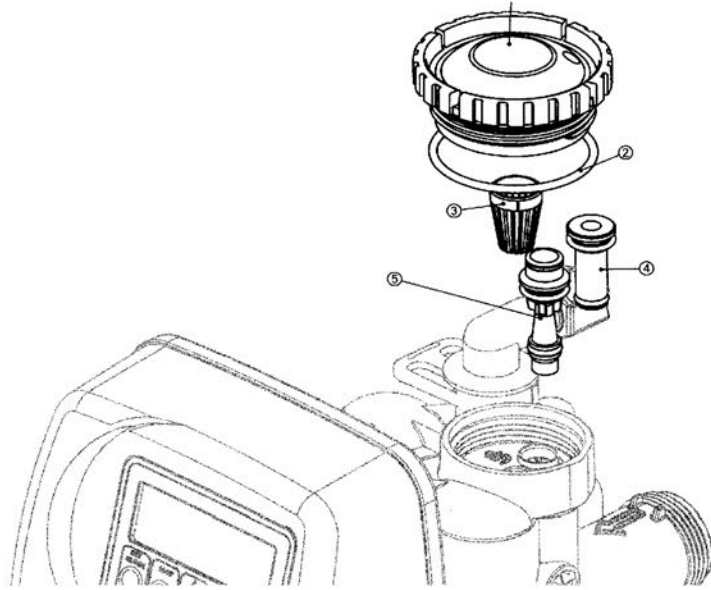
KEY	PRODUCT TYPE	DESCRIPTION	P/N	LIST PRICE EA
		F2 Replacement Parts		
38	F2/F2CC/F2TC FRONT COVER AND DRIVE ASSEMBLY	F2 Front Cover Assembly	V317501	
39		F2CC Front Cover Assembly	V3175CC01	
40		F2TC Front Cover Assembly	V3175TC01	
41		F2 Motor	V310701	
42		Drive Bracket and Spring Clip	V310601	
43		F2 PC Board	V3108	
44		F2CC PC Board	V3108CC	
45		F2TC PC Board	V3108TC	
46		Drive Gear 12X 36	V3110	
47		Drive Gear Cover	V3109	
48		F2 Drive Assembly (*part keys 2 through 6)	V3002	
49		F2CC Drive Assembly (*part keys 2 through 6)	V3002	
50		F2TC Drive Assembly (*part keys 2 through 6)	V3002	
51	Transformer 110V-12V	V3186		

**F2/F2CC/F2TC
DRIVE CAP, SPACER STACK
AND PISTON ASSEMBLIES
EXPLODED VIEW**



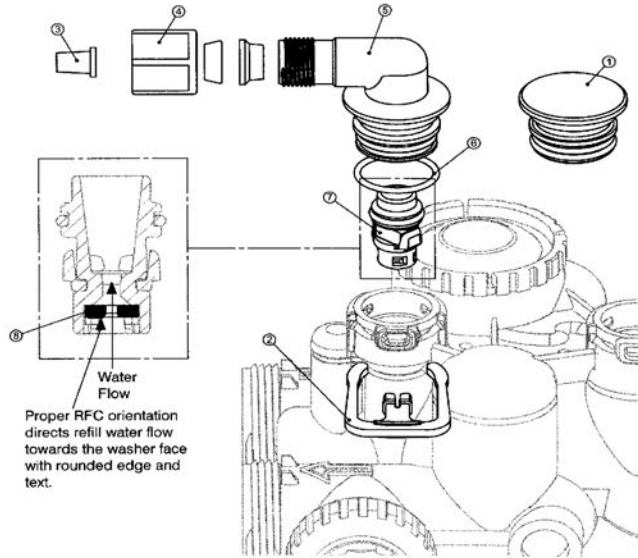
KEY	PRODUCT TYPE	DESCRIPTION	P/N	LIST PRICE EA
52	F2/F2CC/F2TC DRIVE CAP, SPACER STACK AND PISTON ASSEMBLIES <i>*note: regenerant piston is not used in backwash only (filter) applications</i>	F2 Spacer Stack Assembly	V3005	
53		Drive Cap Assembly	V3004	
54		O-ring 228	V3135	
55		F2 Downflow Piston Assembly (marked 'DN')	V3011	
56		F2 Upflow Piston Assembly (marked 'UP')	V301101	
57		*F2 Regenerant Piston	V3174	
58		O-Ring 337	V3180	

SCREENS
AND INJECTOR CAP
EXPLODED VIEW



KEY	PRODUCT TYPE	DESCRIPTION	P/N	LIST PRICE EA
59	F2/F2CC/F2TC INJECTORS, SCREENS AND INJECTOR CAP	Injector Cap	V3176	
60		O-ring 135	V3152	
61		Injector Screen	V3177	
62		F2 Injector Assembly Z-Plug	V30101Z	
63		Injector Assembly 'A' Black	V30101A	
64		Injector Assembly 'B' Brown	V30101B	
65		Injector Assembly 'C' Violet	V30101C	
66		Injector Assembly 'D' Red	V30101D	
67		Injector Assembly 'E' White	V30101E	
68		Injector Assembly 'F' Blue	V30101F	
69		Injector Assembly 'G' Yellow	V30101G	
70		Injector Assembly 'H' Green	V30101H	
71		Injector Assembly 'I' Orange	V30101I	
72		Injector Assembly 'J' Blue	V30101J	
73		Injector Assembly 'K' Light Green	V30101K	
74		O-ring 011	V3170	
75		O-ring 013	V3171	

**F2/F2CC/F2TC
REFILL AND REFILL PORT
PLUG
EXPLODED VIEW**

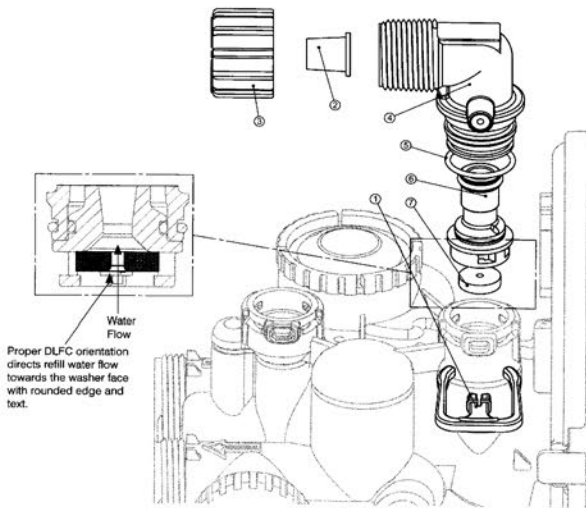


KEY	PRODUCT TYPE	DESCRIPTION	P/N	LIST PRICE EA
76	F2/F2CC/F2TC REFILL AND REFILL PORT PLUG	F2 Refill Port Plug Assembly <i>(filter systems only)</i>	V319501	
77		Elbow Locking Clip	H4615	
78		Polytube Insert, 3/8"	JCPP6	
79		Nut, 3/8"	JCPG6PBLK	
80		Elbow Cap, 3/8"	H4613	
81		O-ring 019	V3163	
82		Refill Flow Control Retainer Assembly	V316501	
83		F2 Refill Flow Control	V3182	
84		Elbow, 1/2" with Nut and Insert	H4650	
85		F2/F2CC/F2TC 3/4" DRAIN LINE COMPONENTS <i>(diagram page 5)</i>	Elbow Locking Clip	
86	Polytube Insert, 5/8"		PKP10TS8BULK	
87	Nut, 3/4" Drain Elbow		V3192	
88	Drain Elbow, 3/4" Male Assembly		V315801	
89	O-ring 019		V3163	
90	DLFC Retainer Assembly		V315901	
	DLFC 007 (.7GPM), 3/4"		V3162-007	
	DLFC 010 (1.0GPM), 3/4"		V3162-010	
	DLFC 013 (1.3GPM), 3/4"		V3162-013	
	DLFC 017 (1.7GPM), 3/4"		V3162-017	
	DLFC 022 (2.2GPM), 3/4"		V3162-022	
	DLFC 027 (2.7GPM), 3/4"		V3162-027	
	DLFC 032 (3.2GPM), 3/4"		V3162-032	
	DLFC 042 (4.2GPM), 3/4"		V3162-042	
	DLFC 053 (5.3GPM), 3/4"		V3162-053	
	F2 Valves are shipped without drain line flow control (DLFC) - Install DLFC before using.			

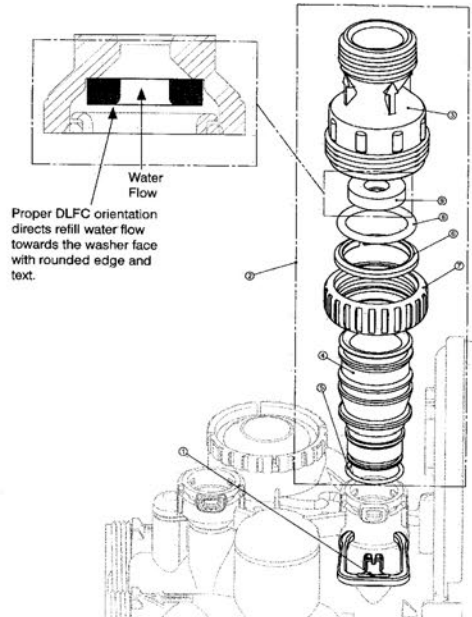
REF.	PRODUCT TYPE	DESCRIPTION	P/N	LIST PRICE EA
	NEW!			
		FUSION² 360 RESIDENTIAL RO SYSTEMS		
		<i>Exclusive in Canada with Waterite and available only to Fusion² 360 Dealers</i>		
		<i>A compact cabinet RO system featuring a 100 GPD membrane, push-on fittings throughout including 'plug and play' bulkhead connectors, integral water storage tank, a premium F9 series faucet, a panel mounted TDS monitor, all installation accessories. A model with 24V booster pump is also available.</i>		
37		Fusion ² 360 RO System, 100GPD and TDS Monitor	ROF360	
38		Fusion ² 360 RO System, 100GPD c/w Booster Pump and TDS Monitor	ROF360B	
	 <p>FUSION² 360 RESIDENTIAL REVERSE OSMOSIS SYSTEMS</p>	FUSION² 360 RO SYSTEM ACCESSORIES		
39		Shurflo Transfer Pump, 3.3 GPM	2088-594-154	
40		Shurflo Transfer Pump, 1.5 GPM	8005-733-155	
41		Excellflow CONTEMPRA Faucet - Almond	F9-AL	
42		Excellflow A-9 Amalfi Series Faucet - Chrome	A9-C	
43		Excellflow CONTEMPRA Faucet - Brushed Nickel	F9-BN	
	 <p><i>Fusion² 360 RO systems are fully enclosed - each cabinet includes an integral Leak Stop flow interruptor for added security.</i></p>	<i>For a complete list of Waterite residential RO accessories refer to Vectapure Systems Price List</i>		
44	Inline Sediment Pre-Filter, 5 Micron, Push-On Fittings	AIP10EZ		
45	Inline Carbon Pre-Filter, 5 Micron, Push-On Fittings	AIC12EZ		
46	Black Max 100 GPD, TFC 1812	BME1812R100		
47	Excelpure 10" Inline Carbon Filter - 1/4" push on	AIC10EZ		
48	RO Shut-Off Valve - Push-on Style for Vectapure Systems	ROS002		
49	O-Ring - Membrane Housing	RO-0202		
50	Excellflow Pump Pressure Switch	ROSWIH		

KEY	PRODUCT TYPE	DESCRIPTION	P/N	LIST PRICE EA
92	F2/F2CC/F2TC 1" DRAIN LINE COMPONENTS	Elbow Locking Clip	H4615	
93		F Drain Fitting, Straight	V300802	
		DLFC 065 (6.5GPM), 1"	V3190065	DISCONTINUED
		DLFC 075 (7.5GPM), 1"	V3190075	DISCONTINUED
		DLFC 090 (9.0GPM), 1"	V3190090	
94		DLFC 110 (11.0GPM), 1"	V3190110	
		DLFC 130 (13.0GPM), 1"	V3190130	
		DLFC 170 (17.0GPM), 1"	V3190170	
		DLFC 200 (20.0GPM), 1"	V3190200	
		DLFC 250 (25.0GPM), 1"	V3190250	

DRAIN LINE COMPONENTS EXPLODED VIEW



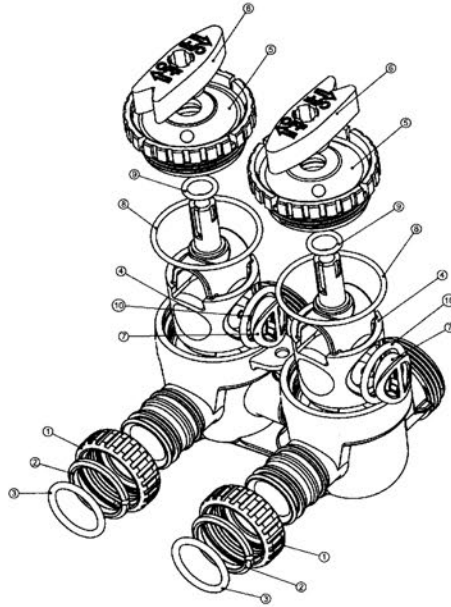
3/4"



1"

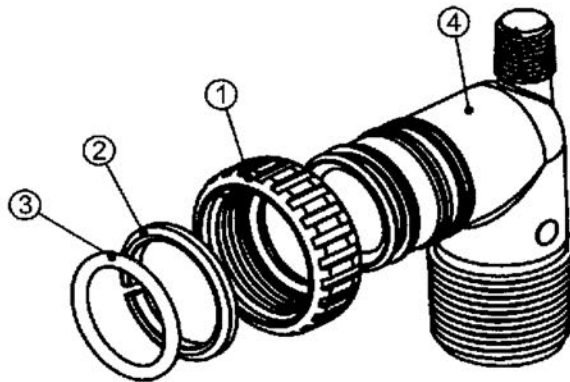
95	F2 BYPASS VALVE <i>(diagram page 6)</i>	Nut, 1" Quick Connect	V3151	
96		Split Ring	V3150	
97		O-ring 215	V3105	
98		1" Bypass Rotor	V3145	
99		Bypass Cap	V3146	
100		Bypass Handle	V3147	
101		Bypass Rotor Seal Retainer	V3148	
102		O-ring 135	V3152	
103		O-ring 112	V3155	
104		O-ring 214	V3156	
105	Vertical Bypass Adapter Assembly	V319101		

**F2 BYPASS VALVE
EXPLODED VIEW**



KEY	PRODUCT TYPE	DESCRIPTION	P/N	LIST PRICE EA
106	INSTALLATION FITTING ASSEMBLIES	Nut, 1" Quick Connect	V3151	
107		Split Ring	V3150	
108		O-ring 215	V3105	
109		Fitting, 1" PVC Male NPT Elbow	V3149	
110		Fitting, 3/4" & 1" PVC Solvent Elbow	V3189	
111		Fitting, 1" Sweat Brass	V3188	
112		Fitting, 3/4" Sweat Brass	V318801	

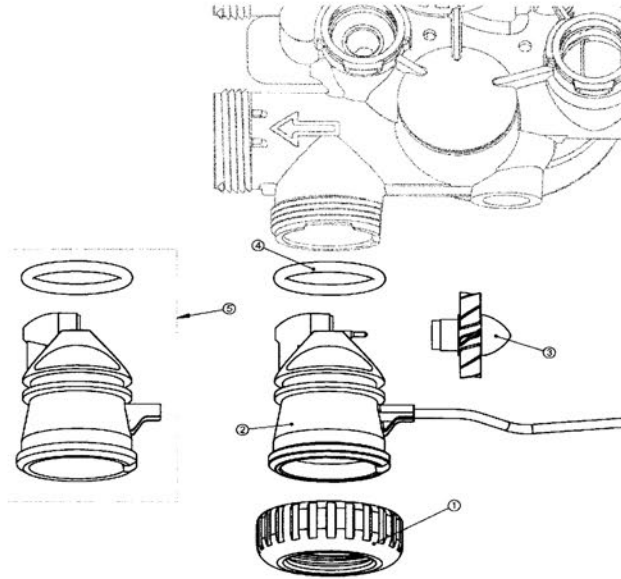
**F2/F2CC/F2TC
INSTALLATION FITTING
ASSEMBLIES
EXPLODED VIEW**



KEY	PRODUCT TYPE	DESCRIPTION	P/N	LIST PRICE EA
113	F2/F2CC TURBINE AND F2TC METER PLUG	Nut, 1" Quick Connect	V3151	
114		F2 Meter Assembly*	V3003	
115		F2 Turbine Assembly	V311801	
116		O-ring 215	V3105	
117		F2 Meter Plug Assembly	V300301	

*includes F2 turbine and 215 o-ring

**F2/F2CC TURBINE
AND F2TC METER PLUG
EXPLODED VIEW**



Fusion Water Softener Data Sheet - F2CC/F2TC

Model	Tank	Valve*	Nominal Peak Flow	CF Resin	Cap. @ 6 lbs. Salt/CF Resin	Shipping Weight (lbs.)	Brine Tank Size
F20/F2	8X35	F2CC	3.2	0.7	13.2	70	15"X17"X36"
F30/F2	9X42	F2CC	5.3	1.0	20.0	90	15"X17"X36"
F40/F2	10X44	F2CC	6.5	1.3	26.6	100	15"X17"X36"
F50/F2	10X54	F2CC	9.0	1.7	33.2	110	15"X17"X36"
F60/F2	12X48	F2CC	11.0	2.0	40.0	145	18"X40"
F75/F2	13X54	F2CC	13.0	2.5	50.0	175	18"X40"
F90/F2	14X65	F2CC	17.0	3.0	60.0	235	18"X40"
F120/F2	14X65	F2CC	20.0	4.0	80.0	285	18"X40"
F150/F2	16X65	F2CC	25.0	5.0	100.0	350	18"X40"

REF.	PRODUCT TYPE	DESCRIPTION	P/N	LIST PRICE EA	
		(see page 3 for specifications)			
	<p>Gold highlights indicates that this model has been tested and certified by the</p>  <p>WQA according to NSF/ANSI Standard 44</p> <p>WATERITE WATER SOFTENERS</p> <p>includes brine tank, brine well and pick-up tube and featuring Autotrol LOGIX Controls</p>  <p>Autotrol 255 Logix 740 Time Clock Controller</p>  <p>Autotrol 255 Logix 760 Demand Controller Complete Softener</p>	<p>With Pentair Autotrol 740 Time Clock Controller</p> <p>20K Grain Softener, 740 Timer</p> <p>30K Grain Softener, 740 Timer</p> <p>45K Grain Softener, 740 Timer</p> <p>50K Grain Softener, 740 Timer</p> <p>60K Grain Softener, 740 Timer</p> <p>75K Grain Softener, 740 Timer</p> <p>90K Grain Softener, 740 Timer</p> <p>120K Grain Softener, 740 Timer</p> <p>30K Grain Softener, 740 Timer, Cabinet</p> <p>For the 255 valve with a 440 Autotrol Control, Specify and Add:</p> <p>With Pentair Autotrol 760 Metered Controller</p> <p>20K Grain Softener, 760 Meter</p> <p>30K Grain Softener, 760 Meter</p> <p>45K Grain Softener, 760 Meter</p> <p>50K Grain Softener, 760 Meter</p> <p>60K Grain Softener, 760 Meter</p> <p>75K Grain Softener, 760 Meter</p> <p>90K Grain Softener, 760 Meter</p> <p>120K Grain Softener, 760 Meter</p> <p>30K Grain Softener, 760 Meter, Cabinet</p> <p>For the 255 valve with a 460i Autotrol Control, Specify and Add:</p> <p>With Autotrol LOGIX 762 Electronic Meter Control</p> <p>20K Grain Softener, 762 Control</p> <p>30K Grain Softener, 762 Control</p> <p>40K Grain Softener, 762 Control</p> <p>50K Grain Softener, 762 Control</p> <p>60K Grain Softener, 762 Control</p> <p>75K Grain Softener, 762 Control</p> <p>90K Grain Softener, 762 Control</p> <p>120K Grain Softener, 762 Control</p> <p>30K Grain Softener, 762 Control, Cabinet</p>			
1				A20/740	
2				A30/740	
3				A45/740	
4				A50/740	
5				A60/740	
6				A75/740	
7				A90/740	
8				A120/740	
9				ES32L740	
10					
11				A20/760	
12				A30/760	
13				A45/760	
14				A50/760	
15				A60/760	
16				A75/760	
17				A90/760	
18				A120/760	
19				ES32L760	
20					
21				A20/762	
22				A30/762	
23				A40/762	
24				A50/762	
25				A60/762	
26				A75/762	
27			A90/762		
28			A120/762		
29			ES32L762		
30					
31					
32					
33					
34					
	<p>MANIFOLDS, BYPASSES AND TURBULATORS</p>	<p><i>All softeners must be ordered with bypass or manifold kit.</i></p> <p>Manifolds</p> <p>3/4" NPT Noryl Manifold Kit and Fittings</p> <p>Bypasses (includes adapters)</p> <p>256 Bypass - Ball Valve Style - 3/4" Copper</p> <p>256 Bypass - Ball Valve Style - 1" Copper</p> <p>256 Bypass - Ball Valve Style - 3/4" PVC</p> <p>256 Bypass - Ball Valve Style - 1" PVC</p> <p>Performa 1265 Bypass Valve (w/o adapters)</p> <p>Turbulators</p> <p>Turbulator for all GE Autotrol 255 Valve Model Softeners</p>			
28			WR11728		
29			WR11060		
30			WR11064		
31			WR11062		
32			WR11066		
33			1040930		
34			1040021		

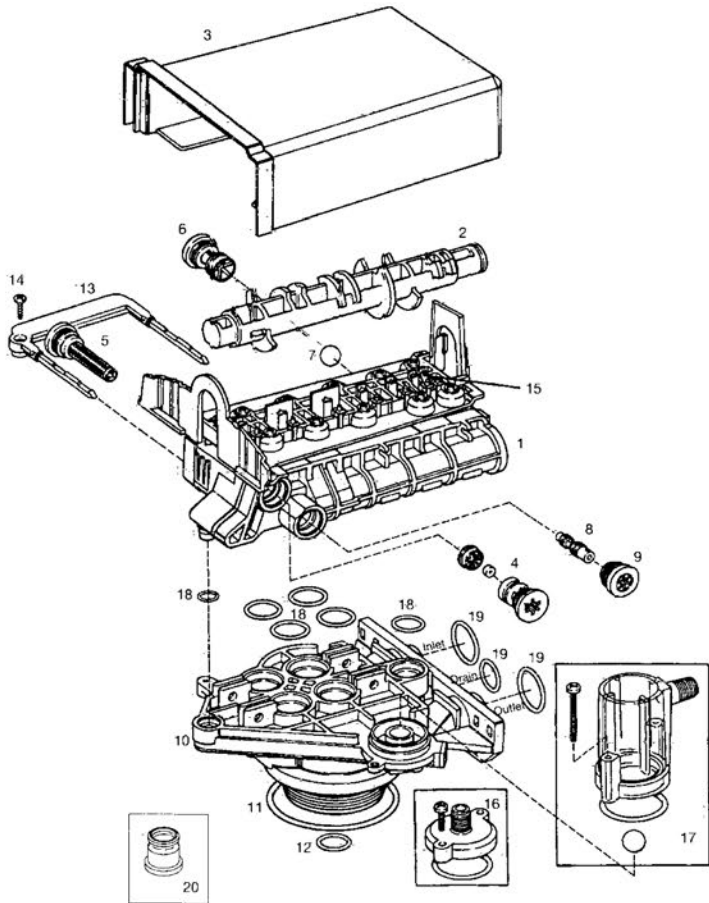
REF.	PRODUCT TYPE	DESCRIPTION	P/N	LIST PRICE EA
		<i>Injector Cap w/ O-Rings</i>		
9		'A' Cap	1000269	
		'B' Cap	1000269	
		'C' Cap	1000269	
10		Tank Adapter Assembly	1033784	
11		O-Ring BN	1010429	
12		O-Ring EP	1010428	
13		Locking Bar, English Language	1031402	
14		Screw, No. 8 X 9/16"	1006093	
15		Spring, Valve Disc Kits	1001580	
16		New to Old Aircheck Adapter Kit	1033066	
17		Air Check Kit, 1/4" Male	1032417	
18		O-Ring Group, Tank Adapter	1001404	
19		O-Ring Group, Piping Boss	1040459	
20		13/16" Rubber Insert (Optional)	1001986	
*		Valve Disc Replacement	1000250	
*Not shown				



**255 VALVE with 960 CONTROL
REPLACEMENT PARTS**



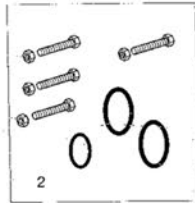
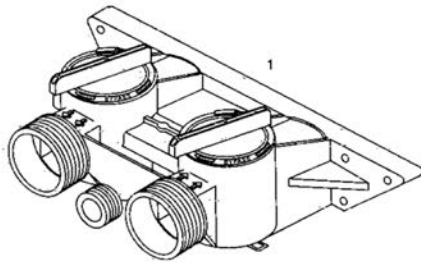
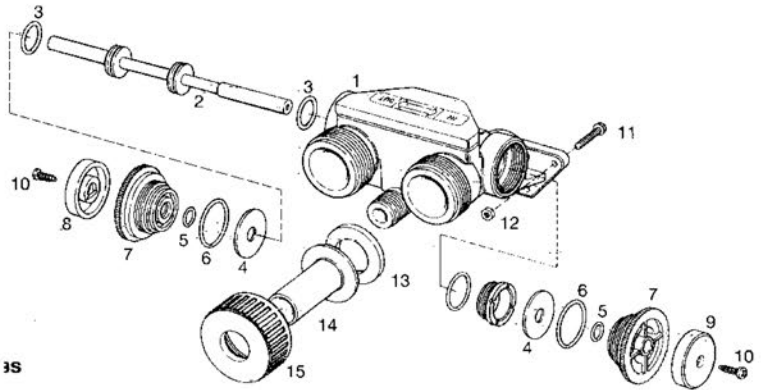
**255 VALVE with 960 CONTROL
REPLACEMENT PARTS
EXPLODED VIEW**





**OLD AND NEW STYLE BYPASS
REPLACEMENT PARTS
EXPLODED VIEW**

OLD STYLE - MODEL 156

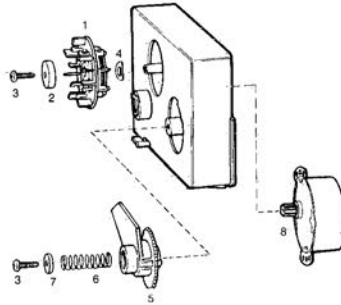


NEW STYLE - MODEL 256


REF.	PRODUCT TYPE	DESCRIPTION	P/N	LIST PRICE EA
		Old Style 156 Bypass		
2		Valve Stem w/ O-Rings		DISCONTINUED
3		O-Ring		DISCONTINUED
4		Washer		DISCONTINUED
5		O-Ring		DISCONTINUED
6		O-Ring		DISCONTINUED
7		End Cap		DISCONTINUED
8		Knob, Black		DISCONTINUED
9		Knob, White		DISCONTINUED
10		Screw, No. 8x9/16"		DISCONTINUED
11		Bolt, No. 10-24x1"		DISCONTINUED
12		Nut, No. 10-24		DISCONTINUED
		New Style 256 Bypass		
1	OLD AND NEW STYLE BYPASS REPLACEMENT PARTS	Bypass Body Assembly	1040769	
2		Meter Install Kit	1040524	
		Tube Adapter Kits:		
91		3/4" Copper Tube Adapter Kit	1001606	
92		1" Copper Tube Adapter Kit	1001670	
93		3/4" CPVC Tube Adapter Kit	1001613	
94		1" CPVC Tube Adapter Kit	1001614	
95		3/4" Plastic Pipe Adapter Kit	1001769	
96		1" BSPT Brass Pipe Adapter Kit	1001612	
		Meter Adapter (not shown)		
97		Turbine Assembly Kit, 255	1032350	
98		Meter Install Kit	1040524	
		Piping Boss (Manifold) (not shown)		
99		Piping Boss (Manifold) Install Kit	1040339	

REF.	PRODUCT TYPE	DESCRIPTION	P/N	LIST PRICE EA
		255 Series Timers and Transformers		
100		440i/460i/960 Transformer	1000811	
101		460i Timer w/ Transformer	1030000	
		440 Series Timer Parts		
1	 TIMERS AND TIMER PARTS	6-Day Skipper Wheel Assembly	1031740	
		7-Day Skipper Wheel Assembly	1031742	
2		Washer	1030659	
3		Screw, No. 6x1/2"	1006091	
4		Friction Washer	1006601	
5		Tripper Arm Assembly	1031756	
6		Spring	1030830	
7		Gear Retainer Spring	1030821	
8		Motor, 120V, 60hz (models 440 & 450)	1030846	
		Retainer Cap, Red	1000939	
		Flat Cord Set	1007490	

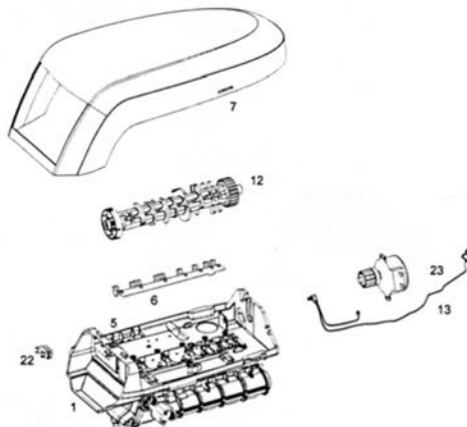
440i TIMER EXPLODED VIEW






REF.	PRODUCT TYPE	DESCRIPTION	P/N	LIST PRICE EA
		255 Series Controls		
102		440i Control, 6-day, 12V, with 120V Transformer	1040780	
103		440i Control, 7-day, 12V, with 120V Transformer	1040781	
104		460i Timer w/ Transformer	1030000	
106		960 Control with Battery, with 120V Transformer		DISCONTINUED
		Motors		
107		12V, 60hz Motor, 440i	1001569	
108		9V, 60hz Motor, 460i	1000099	
		ReadySoft Twin Alternating Parts		
113	OTHER SOFTENER VALVE REPLACEMENT PARTS	Deluxe Interconnecting Manifold Kit	1035640	
114		ReadySoft Auxilliary Switch Kit	1041086	
		Valve Repair Kits		
115		Tank Adapter O-Ring Kit	1001404	
116		Turbine Assembly Kit, 255	1032350	
117		Air Check Kit, 1/4" Male	1032417	
118		Regeneration Switch Kit, 255, 460i and 440i only	1033270	
119		Regeneration Switch Kit, 1 Amp., 255, 960 and 940 only	1001260	
120		Regeneration Switch Kit, 5 Amp., 255, 960 and 940 only	1001262	
121		Manifold Service Kit	1040339	
122		Manifold O-Ring Kit	1040459	
123		Silicone - Tube, 8.0 oz.	1014081	

REF.	PRODUCT TYPE	DESCRIPTION	P/N	LIST PRICE EA
124	REPLACEMENT PARTS FOR TUBE ADAPTERS , NUTS AND GASKETS	Gasket	1030541	
125		Nut for 3/4" Brass, Plastic, CPVC & 28mm Copper Tube	1030570	
126		Nut for 1" Brass, Plastic and CPVC	1030570	
127		Nut for 3/4" AND 22MM Copper Tube	1030570	
128		Nut for 1" Copper Tube	1030570	
129		3/4" Copper Tube Adapter	1030540	
130		1" Copper Tube Adapter	1030545	
131		3/4" CPVC Connector	1030578	
132		1" CPVC Connector	1030579	
133		UNIQUE REPLACEMENT PARTS FOR AUTOTROL SERIES 155 VALVES <i>(All other 155 parts refer to 255 series)</i>	Camshaft Bearing	1030501
134	Screen Cap with O-Ring		1032991	
135	Injector Cap A - White, 155		1032973	
136	Injector Cap B - Blue, 155		1032974	
137	Injector Cap C - Red, 155		1032975	
138	Valve Disc Kit		1033013	
139	Air Check - Old Style			DISCONTINUED
140	 AUTOTROL SERIES 163 AND 168 VALVE REPLACEMENT PARTS	O-Ring, 1/16"X1/2"X5/8"	1010107	
141		O-Ring for 1" Riser	1010428	
142		Injector Cap A - White, 155	1032973	
143		Injector Cap B - Blue, 155	1032974	
144		Injector Cap C - Red, 155	1032975	
145		168 Cam Shaft Assembly	1033036	
146		168 Extra Salt Cam Shaft Assembly	1033037	
147		Valve Disc Kit, 168,155	1033013	
148		Cam Assembly, LR, 168	1033038	
149		Cam Shaft Assembly, 163 Valve	1033039	
150		Top Plate w/ Springs, 163, 168		DISCONTINUED
151		Turbine Assembly, Internal	1033444	
153		168 Valve Body & Top Plate Assy., 1" Riser		DISCONTINUED
154		163 Valve Body & top Plate for 1.05" Riser		DISCONTINUED
155		Regeneration Switch Kit, 168		DISCONTINUED
156		Valve Disc Kit, Severe Service, 163,168,155	1040526	
157	Valve Disc Kit, 163	1040529		
158	Regeneration Switch Kit, 163	1033272	DISCONTINUED	
159	Auxilliary Backwash, 7GPM	1040271	DISCONTINUED	


**255 VALVE EXPLODED
VIEW WITH LOGIX CONTROL**
LOGIX™



REF.	PRODUCT TYPE	DESCRIPTION	P/N	LIST PRICE EA
	 AUTOTROL LOGIX CONTROLS REPLACEMENT PARTS 	Logix Replacement Parts		
13		LOGIX Motor and Optical Sensor Cable, 700 Series	1235269	
5		LOGIX Top Plate, 263, 286, 278	1235338	
		LOGIX Top Plate, 255	1235340	
6		LOGIX Spring, 1-Piece, 255	1235341	
		LOGIX Spring, 1-Piece, 263, 286, 278	1235339	
12		LOGIX Cam Shaft, 263, 268	1235352	
		LOGIX Cam Shaft, 255	1235353	
23		LOGIX Motor, Power Cable and Pinion Gear, 700 Series	1238861	
22		LOGIX Photo Interruptor Optical Sensor	1235373	
-		LOGIX Turbine Cable Assembly	1235446	
7		LOGIX Cover - Grey	1236246	
		LOGIX Controller 740 Softener	1242146	
1		LOGIX Controller 740 Filter	1242148	
		LOGIX Controller 760 Softener	1242163	
		LOGIX Controller 760 Filter	1242166	
		RESIDENTIAL VALVE AND CONTROL ASSEMBLIES 	Autotrol LOGIX Valve Heads	
	<i>All Valves must be ordered with manifold kit or bypass</i>			
	<i>12V Transformer and Lids included</i>			
160	255 Valve/740 LOGIX Control, A/C Fitting & Lid		WR11360	
161	255 Valve/760 LOGIX Control, A/C Fitting & Lid		WR11361	
162	268 Valve/740 LOGIX Control, A/C Fitting, Tails & Lid		WR11362	
163	268 Valve/760 LOGIX Control, A/C Fitting, Tails & Lid		WR11363	
164	263 Valve/740 Filter Valve LOGIX Control, A/C Fitting, Tails & Lid	WR11364		

REF.	PRODUCT TYPE	DESCRIPTION	P/N	LIST PRICE EA	
	 <p>WATERITE AUTOMATIC FILTERS With the GE Autotrol 263 Performa Series Valve and Logix Time Clock Control featuring next™ filtration technologies inc. CENTURION™ ACTIVATED CARBON</p>	Filter Ag Filters			
60		1.0 CF Filter	AF10A		
61		1.5 CF Filter	AF15A		
62		2.0 CF Filter	AF20A		
63		2.5 CF Filter	AF25A		
64		3.0 CF Filter	AF30A		
65		4.0 CF Filter	AF40A		
			NextSand Filters		
66		1.0 CF Filter	NS10A		
67		1.5 CF Filter	NS15A		
68		2.0 CF Filter	NS20A		
69		2.5 CF Filter	NS25A		
70		3.0 CF Filter	NS30A		
71		4.0 CF Filter	NS40A		
			Activated Carbon Filters		
72		1.0 CF Filter	CF10A		
73		1.5 CF Filter	CF15A		
74		2.0 CF Filter	CF20A		
75		2.5 CF Filter	CF25A		
76		3.0 CF Filter	CF30A		
77		4.0 CF Filter	CF40A		
			<i>(see page 4 for filter specifications)</i>		
			<i>Several Multi-Media and Carbon options are available.</i>		
			<i>Call for help when ordering for your application.</i>		
			Manganite Greensand Filters		
			<i>Designed for the removal of iron, manganese and hydrogen sulfide, featuring the Autotrol Performa valve.</i>		
78	 <p>Waterite MANGANITE™ GREENSAND AND BIRM FILTERS Featuring the Autotrol 263 Valve and 740 Logix Time Clock Control</p> <p><i>Waterite's Manganite media has been tested and certified by WQA to NSF/ANSI Standard 61 for material safety only</i></p> 	1.0 CF Filter	MG10A		
79		1.5 CF Filter	MG15A		
80		2.0 CF Filter	MG20A		
			BIRM™ Filters		
81		1.0 CF Filter	BF10A		
82		1.5 CF Filter	BF15A		
83		2.0 CF Filter	BF20A		
84		2.5 CF Filter	BF25A		
85		3.0 CF Filter	BF30A		
86		4.0 CF Filter	BF40A		
			<i>(see page 14 for filter specifications)</i>		

Residential Water Softener Data Sheet

Model	Tank	Valve	Nominal Peak Flow	CF Resin	Cap. @ 6 lbs. Salt/CF Resin	Shipping Weight (lbs.)	Brine Tank Size
A20	8X35	255	3.5	0.7	13.2	70	14"X14"X33"
A30	9X42	255	5.0	1.0	20.0	90	14"X14"X33"
A40	10X44	255	6.6	1.3	26.6	100	14"X14"X33"
A50	10X54	255	8.3	1.7	33.2	110	14"X14"X33"
A60	12X48	255	10.0	2.0	40.0	145	18"X40"
A75	13X54	255	10.0*	2.5	50.0	175	18"X40"
A90	14X65	255	10.0*	3.0	60.0	235	18"X40"
A120	14X65	255	10.0*	4.0	80.0	285	18"X40"

* Flow limited by 255 valve. Valve can be converted to a 268 Performa to increase nominal peak flow to 25 GPM.

ReadySoft systems couple two softeners of the above specifications in either twin alternating or twin parallel configurations. RS alternating - 10 GPM flow rate max, RS parallel - 20 GPM flow rate max.

Commercial Tank Loading Data Sheet

(measurement in lbs)

Tank Model	(cu ft) Resin	(cu ft) Carbon	Gravel (mixed flint)	Garnet #8	Garnet 30-40	Sand	Anthracite
Softeners							
CS18-S-M	5		50				
CS21-S-M	7		100				
CS24-S-M	10		200				
CS30-S-M	15		300				
CS36-S-M	20		400				
Carbon Filters							
CS-18-CF-T		5	50				
CS-21-CF-T		7	100				
CS-24-CF-T		10	200				
CS-30-CF-T		15	300				
CS-36-CF-T		20	400				
Multi-Media Filters							
CS-18-MM-T			50	70	70	150	50
CS-21-MM-T			100	150	150	250	100
CS-24-MM-T			200	200	200	300	150
CS-30-MM-T			300	350	350	500	250
CS-36-MM-T			400	500	500	600	350

Multi-Media Filters Data Sheet

Model	Tank	CF Media	Normal/ Peak Flow	Valve	B/W Rate
MF15A	10X54	1.5	3.0/6.0	263	7.0
MF20A	12X48	2.0	4.0/8.0	263	10.0
MF30A	14X65	3.0	5.0/10.0	263	12.0
MF40A	16X65	4.0	7.0/14.0	263	15.0

Multi-media filters will filter down to 15 microns within flow parameters.
263 valve has a practical peak flow of 20 GPM

Carbon Filter Data Sheet

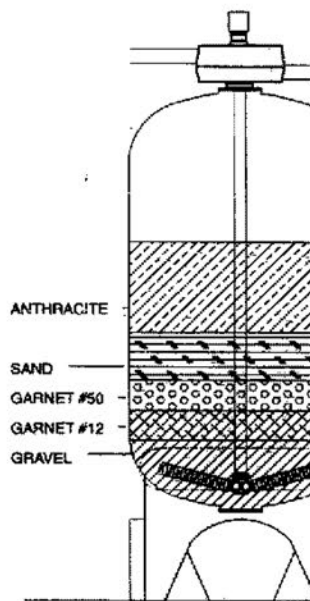
Model	Tank	CF Media	Normal/ Peak Flow	Valve	B/W Rate
CF15A	10X54	1.5	3.0/6.0	263	5.0
CF20A	12X48	2.0	4.0/8.0	263	7.0
CF30A	14X65	3.0	5.0/10.0	263	10.0
CF40A	16X65	4.0	7.0/14.0	263	12.0

MTM Filter Data Sheet

Model	Tank	CF Media	Normal/ Peak Flow	Valve	B/W Rate
MT10A	10X47	1.0	2.2/5.0	268	5.0
MT15A	10X54	1.5	3.0/6.0	268	7.0
MT20A	12X48	2.0	5.0/8.0	268	10.0
MT25A	13X54	2.5	5.0/10.0	268	12.0

Manganese Greensand Filter Data Sheet

Model	Tank	CF Media	Normal/ Peak Flow	Valve	B/W Rate
MG10A	10X47	1.0	2.5/5.0	268	5.0
MG15A	10X54	1.5	3.0/6.0	268	7.0
MG20A	12X48	2.0	5.0/8.0	268	10.0



TYPICAL MULTI MEDIA

FILTER MEDIA LOADING & PERFORMANCE DATA

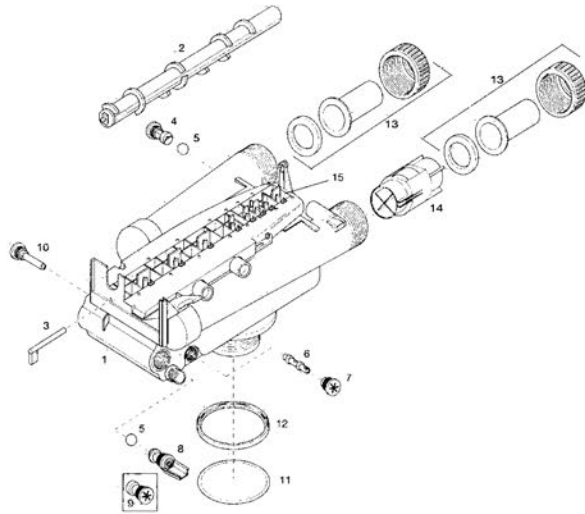
LIGHT INDUSTRIAL SOFTENER PERFORMANCE DATA

Commercial/Light Industrial Water Softener Data Sheet

Model	Tank	Valve	Nominal Peak Flow	CF Resin	Cap. @ 6 lbs. Salt/CF Resin	Shipping Weight (lbs.)	Brine Tank Size
A90	14X65	268	15.0	3.0	60.0	235	18"X40"
A120	14X65	268	25.0	4.0	80.0	285	18"X40"
A150	16X65	268	25.0	5.0	100.0	350	18"X40"



**PERFORMA VALVE
REPLACEMENT PARTS
EXPLODED VIEW**

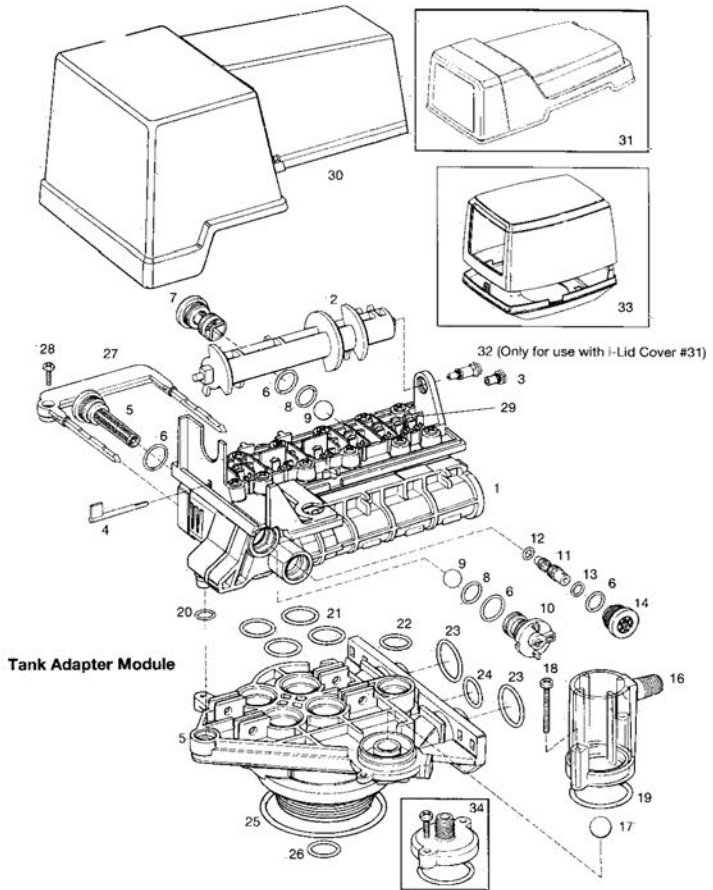


**PERFORMA VALVE
REPLACEMENT PARTS**

REF.	PRODUCT TYPE	DESCRIPTION	P/N	LIST PRICE EA
1		Valve Assembly, w/o Flow Controls (440i, 460i)	1035606	
		Valve Assembly, w/o Flow Controls (940, 960)		
2		Camshaft, 440i, 460i, Standard	1035625	
		Camshaft, 440i, 460i, Extra Salt	1035627	
3		Timer Locking Pin	1031391	
		Drain Control Assy:		
4		No. 7 (1.2 gpm; 4.5 lpm)	1000209	
		No.8 (1.6 gpm; 6.1 lpm)	1000210	
		No. 9 (2.0 gpm; 7.6 lpm)	1000211	
		No. 10 (2.5 gpm; 9.5 lpm)	1000212	
		No. 12 (3.5 gpm; 13.2 lpm)	1000213	
		No. 13 (4.1 gpm; 15.5 lpm)	1000214	
		No. 14 (4.8 gpm; 18.2 lpm)	1000215	
5		Ball, Flow Control	1030502	
		Injector Assy:		
6		'A' Injector - White	1032970	
		'B' Injector - Blue	1032971	
		'C' Injector - Red	1032972	
		'D' Injector - Green	1030272	
		Injector Cap Assy:		
7		'A' Cap	1000269	
		'B' Cap	1000269	
		'C' Cap	1000269	
		'D' Cap	1000269	
		Brine Refill Control (440i and 460i):		
8		1 to 10 Pounds Salt	1034261	
		3 to 19 Pounds Salt	1034263	

REF.	PRODUCT TYPE	DESCRIPTION	P/N	LIST PRICE EA
	PERFORMA VALVE REPLACEMENT PARTS	Brine Refill Control (940 and 960):		
9		Refill Control, 0.33 GPM	1000222	
10		Screen/Cap Assembly	1000226	
11		O-Ring	1010429	
12		Tank Ring	1035622	
*		Torx Key Wrench	1013600	
		Plumbing Adapter Kits:		
		3/4" Copper Tube Adapter Kit	1001606	
		1" Copper Tube Adapter Kit	1001670	
		3/4" CPVC Tube Adapter Kit	1001613	
		1" CPVC Tube Adapter Kit	1001614	
		3/4" Plastic Pipe Adapter Kit	1001769	
		Valve Disc Kit (not shown):		
		Standard	1041174	
		Severe Service		DISCONTINUED
*		I-Lid Cover (not shown)	1000062	
		*not shown		

Pentair
Water Treatment
255 VALVE with 440i CONTROL
REPLACEMENT PARTS
EXPLODED VIEW





**255 VALVE with 440i CONTROL
REPLACEMENT PARTS**

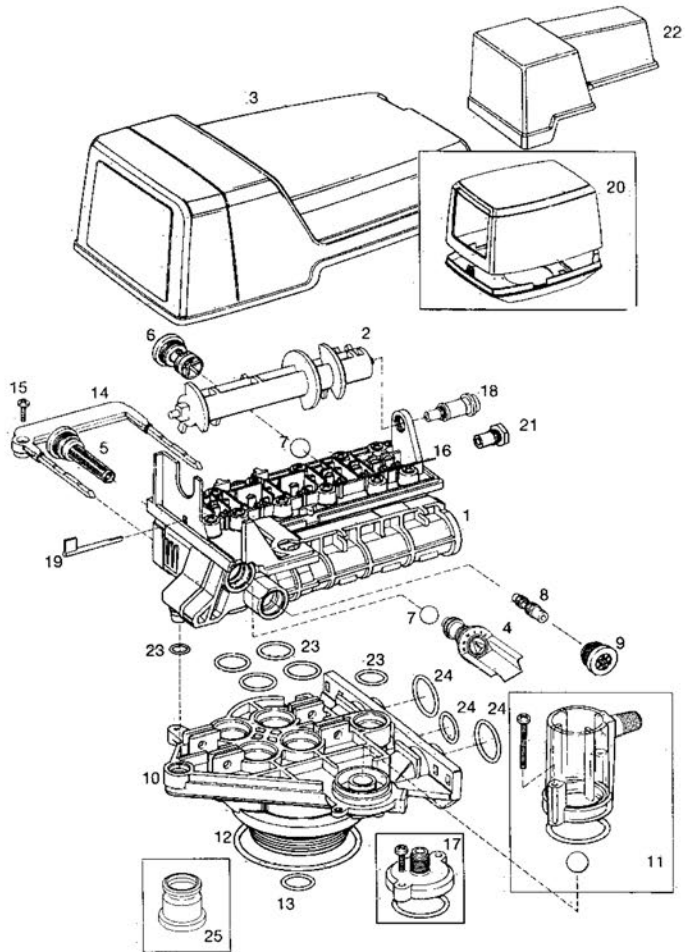
REF.	PRODUCT TYPE	DESCRIPTION	P/N	LIST PRICE EA
1		Valve Assy. w/o Flow Controls	1000232	
		Camshaft:		
2		Standard, One Piece	1031950	
		Cam Shaft Assy, 940 or 960	1000824	
		Extra Salt, Segmented	1033025	
		Long Rinse, Segmented	1033026	
		Water Saver, Segmented	1032969	
3		Camshaft Bearing	1030501	
4		Timer Locking Pin	1031391	
5		Screen/Cap Assy. w/ o-ring	1000226	
6		O-Ring EP	1010110	
		Drain Control Assy. w/ O-Rings:		
7		No. 7 (1.2gpm; 4.5 lpm)	1000209	
		No. 8 (1.6 gpm; 6.1 lpm)	1000210	
		No. 9 (2.0 gpm; 7.6 lpm)	1000211	
		No.10 (2.5 gpm; 9.5 lpm)	1000212	
		No. 12 (3.5 gpm; 13.2 lpm)	1000213	
		No. 13 (4.1 gpm; 15.5 lpm)**	1000214	
		No. 14 (4.8 gpm; 18.2 lpm)**	1000215	
		O-Ring EP	1010108	
8		Ball, Flow Control	1030502	
		Brine Refill Control:		
10		10 lbs. Salt	1034261	
		3 to 19 lbs. Salt	1034263	
		Injector Assy. w/ O-Rings:		
11		'A' Injector - White	1032970	
		'B' Injector - Blue	1032971	
		'C' Injector - Red	1032972	
12		O-Ring EP	1010103	
13		O-Ring EP	1010104	
		Injector Cap w/ O-Rings:		
14		'A' Cap	1000269	
		'B' Cap	1000269	
		'C' Cap	1000269	
15		Tank Adapter Assembly (new style)	1033784	
16		Air Check Kit, 1/4" Male	1032417	
17		Ball, Air Check, 0.75 Dia., EP	1030528	
18		Machine Screw, No. 8-32 x 1.5 in.	1005664	
19		O-Ring EP	1010143	
20		O-Ring EP	1010117	
21		O-Ring EP	1010410	
22		O-Ring EP	1010407	
23		O-Ring EP	1010411	
24		O-Ring EP	1010431	
25		O-Ring EP	1010429	
26		O-Ring EP	1010138	
27		English Language Locking Bar	1031402	
		French Language Locking Bar	1031403	
28		Screw, No. 8 x 9/16 in.	1006093	
29		Spring, Valve Flapper	1001580	
30		Valve Cover, Standard Black	1032565	
31		I-Lid Cover	1000062	
32		Extended Connector (for use with I-Lid Cover)	1000297	
		High Style Covers:		
33		Beige/Tan		DISCONTINUED
		Black/White		DISCONTINUED
34		New to Old Air Check Adapter	1033066	
		Valve Discs:		
*		Standard	1000250	
*		Severe Service		DISCONTINUED

*Not shown


** Flow control does not use Flow Control Ball (10305002)





**255 VALVE with 460i CONTROL
REPLACEMENT PARTS
EXPLODED VIEW**



REF.	PRODUCT TYPE	DESCRIPTION	P/N	LIST PRICE EA	
1	255 VALVE with 460i CONTROL REPLACEMENT PARTS	Valve Assembly w/o Flow Controls	1000232		
2		Camshaft, Standard, One Piece	1031950		
3		Valve Cover, Black with Transparent Window	1000062		
		Brine Refill Control:			
4		1 to 10 lbs. Salt	1034261		
		3 to 19 lbs. Salt	1034263		
5		Screen/Cap Assy. w/ o-ring	1000226		
		Backwash Control Assy. c/w O-Rings:			
6		No. 7 (7" Dia. Tank)	1000209		
		No. 8 (8" Dia. Tank)	1000210		
		No. 9 (9" Dia. Tank)	1000211		

REF.	PRODUCT TYPE	DESCRIPTION	P/N	LIST PRICE EA	
		No. 10 (10" Dia. Tank)	1000212		
		No. 12 (12" Dia. Tank)	1000213		
		No. 13 (13" Dia. Tank)**	1000214		
		No. 14 (14" Dia. Tank)**	1000215		
7		Ball, Flow Control	1030502		
		<i>Injector Assy. w/ O-Rings</i>			
8		'A' Injector - White	1032970		
		'B' Injector - Blue	1032971		
		'C' Injector - Red	1032972		
		<i>Injector Cap w/ O-Rings</i>			
9		'A' Cap	1000217		
		'B' Cap	1000218		
		'C' Cap	1000219		
10		Tank Adapter Assembly	1033784		
11		Air Check Kit, 1/4" Male	1032417		
12		O-Ring BN	1010429		
13		O-Ring EP	1010428		
14	 255 VALVE with 460i CONTROL REPLACEMENT PARTS	Locking Bar, English Language	1031402		
15		Screw, No. 8 X 9/16"	1006093		
16		Spring, Valve Disc Kits	1001580		
17		New to Old Aircheck Adapter Kit	1033066		
18		Extended Bearing, Camshaft	1000297		
19		Locking Pin, Timer, Black	1031391		
			<i>Turbine Assembly and Wheel</i>		
*			3/4" Plastic Pipe Adapter Kit	1001769	
*			Turbine Wheel	1033057	
21			Bearing, Camshaft for use with Cover (22)	1030501	
22			Cover, L-Lid	1032565	
23			O-Ring Group, Tank Adapter	1001404	
24			O-Ring Group, Piping Boss	1040459	
25			13/16" Riser Insert (Optional)	1001986	
*		Valve Disc Replacement	1000250		
	*not shown				
1	255 VALVE with 960 CONTROL REPLACEMENT PARTS <i>(exploded view next page)</i>	Valve Assy. w/o Flow Controls	1000238		
2		Camshaft, Standard, One Piece	1000824		
3		Valve Cover, Black	1000827		
			<i>Brine Refill Flow Control Assy:</i>		
4		Refill Control, 0.33 GPM	1000222		
5		Screen/Cap Assy. w/ o-ring	1000226		
			<i>Drain Control Assy. c/w O-Rings:</i>		
6		No. 7 (7" Dia. Tank)	1000209		
		No. 8 (8" Dia. Tank)	1000210		
		No. 9 (9" Dia. Tank)	1000211		
		No. 10 (10" Dia. Tank)	1000212		
		No. 12 (12" Dia. Tank)	1000213		
		No. 13 (13" Dia. Tank)	1000214		
		No. 14 (14" Dia. Tank)	1000215		
		<i>Injector Assy. W/ O-Rings</i>			
8		'A' Injector - White	1032970		
		'B' Injector - Blue	1032971		
		'C' Injector - Red	1032972		
7		Ball, Flow Control	1030502		



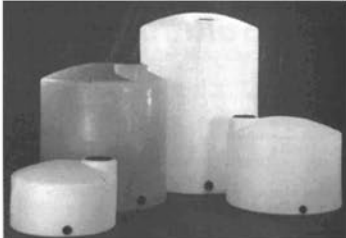


RELEASE 3

REF.	PRODUCT TYPE	DESCRIPTION	P/N	LIST PRICE EA	
	<p>Waterite VECTAPURE™ RSX COMMERCIAL RO SYSTEMS</p>  <p>VECTAPURE™ RSX 700 System Assembled in Canada </p> <p>VECTAPURE™ RSX Lite</p>	WATERITE Standard Duty Commercial RO Units			
		VECTAPURE™ RSX			
		<i>All systems built with two standard 20" prefilters, low pressure switch, stainless membrane housing(s)</i>			
		<i>Procon-style drive pump, on/off switch-box with 10' grounded power cord, line and concentrate liquid filled pressure gauges, LP TFC membrane(s), raw water solenoid.</i>			
1			Vectapure RSX 350 GPD System	RSX350	
2			Vectapure RSX 700 GPD System	RSX700	
3			Vectapure RSX 1050 GPD System	RSX1050	
4			Vectapure RSX 1600 GPD System	RSX1600	
			Vectapure RSX Optional Equipment		
5			Membrane Auto-Flush	RSXAFSH	
6		Permeate and Waste Flow Meters	RSXFM		
7		Stinger Dual Action LC, 15M Wide Angle, 115V c/w PB Plug	LCS15MU		
7a		HM Digital Dual TDS Meter, Raw and Permeate (mounted)	RSLTDS		
		Vectapure RSX Lite 300 GPD RO System			
		Designed for Tap Water Applications			
		<i>A light commercial system complete with three Desal 100 GPD membranes, twin 20" prefilters poly membrane housings, push-on DM fittings inlet and differential pressure gauges.</i>			
8		Vectapure RSX Lite 300 GPD System	RSX250LB		
	<p>Featuring BLACK MAX® Reverse Osmosis Membranes</p> <p>REPLACEMENT CARTRIDGES AND MEMBRANES FOR VECTAPURE™ RSX COMMERCIAL RO SYSTEMS</p> <p>COMMON REPAIR PARTS</p>	Replacement Cartridges and Membranes			
		Filter Cartridges			
9			Excelpure 20" Spun PP Cartridge, 1 micron	PP2001	
10			Excelpure 20" Spun PP Cartridge, 5 micron	PP2005	
			Replacement Membranes		
11			Black Max 50 GPD, TFC 1812	BME1812R50	
12			Black Max 450 GPD, LP, 2521 (150 psi)	BME2521SL	
13			Black Max 850 GPD, LP, 2540	BME2540SL	
			Vectapure RSX Common Replacement Parts		
14			110V 3/8" Solenoid	ROSD11038	
15		Control Valve, 1/4" FXF	NV10		
16		Square D Low Pressure Switch	FRG22		
17		Drive Pump End, 100 GPH (RSX 350)	APR3BZ		
18		Drive Pump End, 140 GPH (RSX 700, 1050)	APR4BZ		
19		Drive Pump End, 240 GPH (RSX 1600)	PA801		

RELEASE 3

REF.	DESCRIPTION	P/N	LIST PRICE EA
	<p>VECTAMAXX™ RSL RO Systems A family of commercial-duty RO systems featuring 5 micron prefiltration, compact powder-coat steel frame, permeate and feedwater flow meters LP shut-off, line and system pressure gauges, BLACK MAX X-low pressure TFC membranes, corrosion-free PVC or stainless membrane housings. quality Webrol <u>stainless</u> booster pump</p>		
	<p>VECTAMAXX™ RSL COMMERCIAL RO SYSTEMS</p>		
	<p>Assembled in Canada </p>  <p>VectaMaxx™ RSL 9600 RO System</p>		
20	VectaMaxx RSL 2400 GPD System	RSL2400	
21	VectaMaxx RSL 4800 GPD System	RSL4800	
22	VectaMaxx RSL 7200 GPD System	RSL7200	
23	VectaMaxx RSL 9600 GPD System	RSL9600	
	<p>VECTAMAXX™ RSL Optional Equipment</p>		
24	Auto Flush with Timer (low pressure systems)	RSLAF	
25	Auto Flush with Timer (higher pressure systems)	RSLAFHP	
26	HM Digital Dual TDS Meter, Raw and Permeate (mounted)	RSLTDS	
27	230V 3-Phase Power Upgrade	RSL3P	
28	Panel Sample Port (specify permeate, feed or concentrate)	RSLSP	
29	Jet Pump for Repressurization - specify (mounted)	RSLRP	
30	304 Stainless Steel Frame Upgrade	RSLSSF	
31	24V Cut-off Relay (for pre-treatment interruptions)	RSL24VR	
	<p>VECTAMAXX™ RSL High Pressure RO Systems Higher pressure (225 psi) for feed water with up to 5000 TDS Stainless solenoids and fittings, schedule 80 rigid piping</p>		
	<p>VECTAMAXX™ RSL HIGHER PRESSURE COMMERCIAL RO SYSTEMS FOR BRACKISH WATER</p>		
	<p>Go to www.waterite.com for full specifications</p>		
32	VectaMaxx RSL HP2400 GPD System	RSLHP2400	
33	VectaMaxx RSL HP4800 GPD System	RSLHP4800	
34	VectaMaxx RSL HP7200 GPD System	RSLHP7200	
35	VectaMaxx RSL HP9600 GPD System	RSLHP9600	
	<p>VECTAMAXX™ RSL Wall Mount RO Systems Unique detachable wall mount design for easy mounting and serviceability. Perfect for compact installations! 5 micron prefiltration, compact powder-coat steel frame, permeate and feedwater flow meters LP shut-off, line and system pressure gauges, BLACK MAX X-low pressure TFC membranes, stainless Webtrol booster pump and SS membrane housings.</p>		
	<p>VECTAMAXX™ RSL COMMERCIAL WALL MOUNT RO SYSTEMS</p>		
	<p>Assembled in Canada </p> 		
36	VectaMaxx Wall Mount RSL 2400 GPD System, 220V	RSL2400WM	
37	VectaMaxx Wall Mount RSL 4800 GPD System, 220V	RSL4800WM	
	<p>For system options, see RSL section above, exceptions below.</p>		
	Jet Pump for Repressurization - specify (mounted)	N/A	

RELEASE 3

REF.	DESCRIPTION	P/N	LIST PRICE EA
			
	<i>Non-banded storage tank</i>		
38	INDOOR DRINKING WATER STORAGE TANKS		
39	Indoor Drinking Water Storage Tanks		
40	<i>Bulkhead fittings not included - see above</i>		
	<i>Tanks are approved for drinking water and are designed to fit through most doorways.</i>		
	<i>Prices fluctuate with plastic prices - please call for updates.</i>		
	Steel Band Supported Tanks		
	Tank, 216 USG, W20"XL72"XH48"	MLP180UR	
	Tank, 260 USG, W29.5"XL61"XH48"	41013	
	Tank, 420 USG, W29.5"XL62"XH63"	41015	
	Non Steel Band Supported Tank		
41	Tank, 396 USG, W29.5"XL62"XH67.5"	41242	
42	Tank, 250 USG, W29.5"XL62"XH40.0"	42337	
	Open Top Tanks		
43	Tank, Open Top, 115 USG, D27.5" XH56"	MC100	
44	Tank, Open Top, 138 USG, D27.5" XH66"	MC120	
			
	<i>Open Top Tank</i>		
	GENERAL PURPOSE WATER STORAGE TANKS		
45	Vertical Tanks		
46	<i>Approved for drinking water, complete with 16" lid.</i>		
47	<i>Prices fluctuate with plastic prices - please call for updates.</i>		
48	Vertical Tank, 165 USG, D31"XH55"	40281	
49	Vertical Tank, 500 USG, D48"XH72"	40148	
50	Vertical Tank, 750 USG, D48"XH102"	40606	
51	Vertical Tank, 1000 USG, D64"XH79"	40152	
52	Vertical Tank, 1500 USG, D87"XH65"	41219	
53	Vertical Tank, 2500 USG, D95"XH89"	41258	
54	Vertical Tank, 3000 USG, D95"XH107"	41262	
	Vertical Tank, 4000 USG, D102"XH125"	40312	
	Vertical Tank, 5000 USG, D102"XH150"	41948	
	Vertical Tank, 12000 USG, D141"XH192"	40545	
			
	Excelflow™ COMMERCIAL MEMBRANE HOUSINGS		
55	Commercial Membrane Housings		
56	<i>Excelflow™ 250 psi-rated 304 SS membrane and include SS mounting straps and saddles.</i>		
57	<i>Suitable for Filmtec/Dow style membranes.</i>		
58	Excelflow SS Housing, 2521, Groove Clamp	EF2521	
59	Excelflow SS Housing, 2540, Groove Clamp	EF2540	
60	Excelflow SS Housing, 4040, Groove Clamp	EF4040	
61	Excelflow SS Housing, 40120, Groove Clamp	EF40120	
62	Excelflow SS 4040 Housing HP End Cap with SS Port Sleeves	EF4040CAP	
63	Wave Cyber 4040 FRP ½" feed, ½" permeate, 300 psi	WC4040FRP	
	RO Membrane 4080 FRP, 4 X 2" Victaulic Ports, 300 psi	H8080S300A2	
	RO Membrane 4040 FRP, 4 X 1.5" Victaulic Ports, 300 psi	H8040S300A1	
	<i>All Wave Cyber FRP 4" housings are end ported.</i>		
			
			

RELEASE 3

REF.	DESCRIPTION	P/N	LIST PRICE EA
	Commercial Reverse Osmosis Membranes		
	<i>Commercial Membrane Elements</i>		
	Standard Pressure (225 psi) Brackish Water RO		
64	GE Desal 300 GPD TFC, 2521	1206719	
65	GE Desal 710 GPD TFC, 2540	1206729	
66	GE Desal 2200 GPD TFC, 4040	1206774	
	Low Pressure (110psi) Brackish Water RO		
	<i>For use on Vectapure RSX and VectaMaxx models</i>		
67	GE Desal 300 GPD TFC, LP, 2521	1206799	
68	GE Desal 710 GPD TFC, LP, 2540	1206802	
69	GE Desal 2200 GPD TFC, LP, 4040	1206816	
	Nanofiltration Membranes (100 psi)		
70	GE Desal 380 GPD, 2521	1207229	
71	GE Desal 2720 GPD, 4040	1220990	
	Commercial Reverse Osmosis Membranes		
	Standard Pressure (225 psi) Membrane Elements		
72	Black Max 300 GPD, 2521	BME2521S	
73	Black Max 2000 GPD, 4040 (225 psi)	BME4040S	
	Low Pressure Brackish Water RO Membranes		
74	Black Max 450 GPD, LP, 2521 (150 psi)	BME2521SL	
75	Black Max 850 GPD, LP, 2540	BME2540SL	
76	Black Max 2400 GPD, XLP,4040 (100 psi)	BME4040SXL	
	Panel Mounted Acrylic Flow Meters		
77	Acrylic Flow Meter, 0.1-1 GPM, 1/2", 5" centers	Z300K-K1	
78	Acrylic Flow Meter, 0.5-5 GPM, 1/2", 6 1/2" centers	Z300K-K2	
79	Acrylic Flow Meter, .1-10 GPM, 1", 6 1/2" centers	Z300K-K4	
80	Acrylic Flow Meter, 5-35 GPM, 1", 6 1/2" centers	FMZ3006	
	Potable Water Storage Tank Bulkhead Fittings		
81	Bulkhead, 2", Dbl. Threaded Polypro	60405	
82	Bulkhead, 1", Dbl. Threaded Polypro	60427	
83	Bulkhead Installation	LABBULK	
	<i>Customer to specify bulkhead location when ordering installation on tank.</i>		
	Level Control Switch		
84	Stinger Dual Action LC, 15M Wide Angle, 115V c/w PB Plug	LCS15MU	
85	Level Switch with Power Cord (pre-wired in RSL system)	RSLLS	

 **GE Water Technologies**

COMMERCIAL RO MEMBRANE ELEMENTS



BLACK MAX®

COMMERCIAL RO MEMBRANES



ACRYLIC PANEL MOUNTED FLOW METERS



STORAGE TANK BULKHEAD FITTINGS



LEVEL CONTROL SWITCHES



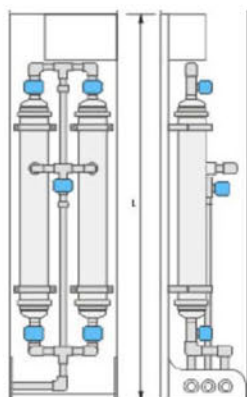
Türi

TURI UF SYSTEM SPECIFICATIONS

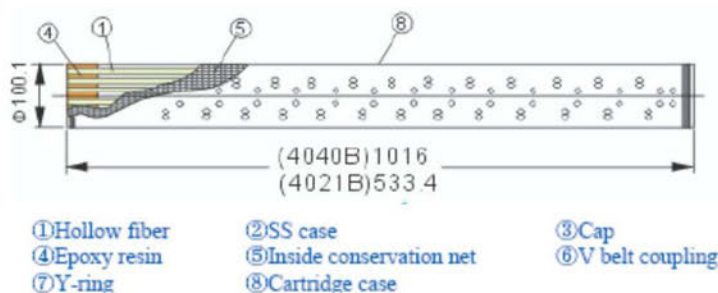
Model Number	RSUF24040BS	RSUF24040SP
Frame Material	304 SS	Painted mild steel
Piping Material	304SS	PVC
Height (L)		1600mm (63")
Depth (H)		250mm (9.8")
Width (W)		300 (11.8")
# of UF Membranes	2	2
Permeate Flow Rate	2000L/hr (8.8GPM)	2000L/hr (8.8GPM)
Operation Mode	Dead end, programmed flush and backwash cycles	
Inlet/Outlet Sizes	3/4" FNPT	3/4" FNPT
Max. Inlet Service Pressure	70PSI (4.8 bar)	70PSI (4.8 bar)
Max. Test Pressure	125PSI (8.6 bar)	100PSI (6.8 bar)
Max. Differential Pressure (I/O)		15PSI (1 bar)
Flush Cycles/day	24	24
Power Required	120V standard North American plug	
Wall Adapter Output (voltage)	6VDC	6VDC
Weight	27kg (60lbs.)	32 kg (71lbs.)

TURI UF MEMBRANE SPECIFICATIONS

Model Number	RSUF24040BS	RSUF24040SP
Membrane Model Number	BME4040UFHF	BME4040UFSM
pH Range		2-10
Membrane Material		PAN
Allowable Cl Concentration (long)		≤50 mg/l
Allowable Cl Concentration (short))		≤300 mg/l
Max. Operating Temperature		40°C
UF Hollow Fibres/Membrane		1500
Encapsulated in Housing	no	yes





UF MEMBRANE DIMENSIONS



REF.	PRODUCT TYPE	DESCRIPTION	P/N	LIST PRICE EA	
	<p>PATERSON IRON REMOVAL SYSTEMS*</p>  <p><i>P1054A with the Autotrol 263 Performa Valve featuring the Logix 740 Time Clock Controller</i></p>  <p>CONTACT AND RETENTION TANKS <i>Rated to 75 psi</i></p> <p>*Paterson Iron Filters are listed under Canadian Patent #1,154,884</p>				
			PATERSON IRON REMOVAL SYSTEMS		
			<i>All units include the patented Waterite W988 Micronizer. Contact tanks and bypasses extra.</i>		
1			1.5 CF Paterson Iron Remover	P1054A	
2			2.0 CF Paterson Iron Remover	P1248A	
3			2.5 CF Paterson Iron Remover	P1354A	
			Valve Bypass		
4			Performa 1265 Bypass Valve (w/o adapters)	1040930	
			Air Control Assemblies		
5			Braukman Air Vent w/ Shut-off	CC30602	
6			Johnson Air Volume Control for Galvanized Tanks	PF52851	
7			Old Style AVC Control HP-7 for 30 gal. Tank	10732	
8			Old Style AVC Control HP-9 for 40 gal. Tank	10733	
9			Old Style AVC Control HP-18 for 80 gal. Tank	10734	
10			Old Style AVC Control HP-26 for 120 gal. Tank	10735	
			Structural Wound Contact Tanks		
11			30 gal. Fiberglass Pressure Tank	31534	
12			40 gal. Fiberglass Pressure Tank	31608	
13		80 gal. Fiberglass Pressure Tank	30957		
14		120 gal. Fiberglass Pressure Tank	31057		
		<i>Structural contact tanks have bottom inlet and outlet fittings</i>			
		Other Accessories			
15		Paterson Filter Media, 1CF	A8014		
		RT Series Wound Retention Tanks			
		<i>Kits include 1190 1" I/O static head, diffuser and 1/2" drain.</i>			
16		RT40 (40 USG) Retention Tank Assembly	C2250		
17		RT80 (80 USG) Retention Tank Assembly	C2251		
18		RT120 (120 USG) Retention Tank Assembly	C2252		

PATERSON™ IRON REMOVER PERFORMANCE SPECIFICATIONS

Model	Removal Capacity (G)	Media CF	B/W Rate GPM	Service Flow GPM	Height	Weight (kg.)	Autotrol Valve
P1054A	42,000	1.5	5.0	5.0	62"	38	263
P1248A	65,000	2.0	7.0	6.0	56"	50	263
P1354A	84,000	2.5	10.0	8.0	62"	63	263

REF.	PRODUCT TYPE	DESCRIPTION	P/N	LIST PRICE EA
	<p>FOB AND FOC IRON AND H2S REMOVAL SYSTEMS</p>  <p>FOB AND FOC aeration systems feature Waterite's exclusive Fusion² control</p> 	WATERITE FOC AND FOB AERATION SYSTEMS		
		<i>All systems use Waterite's exclusive Fusion² control valve. Systems include bypass and 3/4" tailpieces.</i>		
		FOC systems use catalytic carbon and air for the control of hydrogen sulphide (H ₂ S) or 'rotten egg' odour.		
		FOB systems use Birm media and air for the control of iron that can stain and corrode plumbing systems		
		FOB Birm/Nextsand Systems		
19		1.0 CF FOB Birm/Nextsand Filter, w/o Jacket	FOB10-BB	
20		1.0 CF FOB Birm/Nextsand Filter, with Jacket	FOB10-BP	
21		1.5 CF FOB Birm/Nextsand Filter, w/o Jacket	FOB15-BB	
22		1.5 CF FOB Birm/Nextsand Filter, with Jacket	FOB15-BP	
23		2.0 CF FOB Birm/Nextsand Filter, w/o Jacket	FOB20-BP	
24		3.0 CF FOB Birm/Nextsand Filter, w/o Jacket	FOB30-BP	
		FOC Catalytic Carbon Systems		
25		1.0 CF FOC Catalytic Carbon Filter, with Jacket	FOC10-BP	
26		1.5 CF FOC Catalytic Carbon Filter, with Jacket	FOC15-BP	
		FOB/FOC Common Replacement Parts		
27		Check Valve, 3/8" Push-on	A6CV6	
28		Strainer Assembly, FOB/FOC	09005361	

FOB/FOC PERFORMANCE SPECIFICATIONS

Model	Tank Size	Media CF	Media Type	B/W Rate GPM	Service Flow GPM	Height	Fusion² Valve
FOB10	1054	1.5	Birm/Nextsand	5.3	5.0	62"	CC
FOB15	1248	2.0	Birm/Nextsand	7.5	7.0	56"	CC
FOB 20	1354	2.0	Birm/Nextsand	10.6	10.0	62"	CC
FOB 30	1465	3.0	Birm/Nextsand	13.0	12.0	73"	CC
FOC10	1054	1.0	Catalytic carbon	10.0	5.0	62"	CC
FOC15	1248	1.5	Catalytic carbon	10.0	7.0	56"	CC

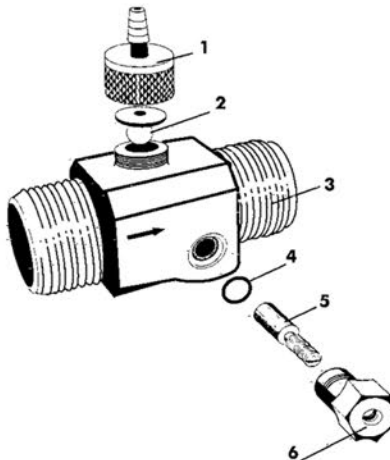
FOC/FOB recommended raw water limits for iron and hydrogen sulphide:

Fe: 4ppm

H₂S: 1ppm

		Structural Air Control Assemblies	
29	QUICK CONNECT AIR CONTROL ASSEMBLIES	Quick Connect AVC Control HP-7QC for 30 gal. Tank	20287
30		Quick Connect AVC Control HP-9QC for 40 gal. Tank	20289
31		Quick Connect AVC Control HP-18QC for 80 gal. Tank	20290
32		Quick Connect AVC Control HP-26QC for 120 gal. Tank	20291

MICRONIZER EXPLODED VIEW




Micronizer

AIR INJECTION PRODUCTS



KEY	PRODUCT TYPE	DESCRIPTION	P/N	LIST PRICE EA
33		1" Waterite Micronizer, 1" MNPT	W988	
34		1" Waterite Micronizer - Black Kynar, Ozone Resistant	W988-Z	
35		1" Grey PVC Air Injector, 1" FNPT	U1020	
36		584 PP Mazzei Injector	584K	
37		584 Mazzei Injector Bypass Assy, 3/4", sch 40 PVC	584B	DISCONTINUED
38		585 Mazzei Injector Bypass Assy, 1", sch 40 PVC	584B1	DISCONTINUED
		Micronizer Repair Parts		
38		Knurled Cap, Plastic, M-003	WA14050	
39		Knurled Cap, Stainless	WA14053	
40		Check Valve, M-005	WA14047	
41		Check Valve, Ozone	use WA14047	
42		Main Body, M988	WA14056	
43		Main Body, M988Z	WA14057	
44		O-Ring, M-011	WA14059	
45		Valve Gate, Plastic, M-003	WA14044	
46		Valve Gate, Stainless	WA14054	
47		Gate Retainer, Brass, M-002	WA14041	
48		Gate Retainer, Stainless	WA14055	

REF.	PRODUCT TYPE	DESCRIPTION	P/N	LIST PRICE EA
	 <p>ARSENIC REDUCTION FILTERS</p> <p>Waterite's arsenic reduction systems feature the exclusive Fusion² metered control</p>	WATERITE ARSENIC REDUCTION FILTERS		
		<i>All systems include bypass and 3/4" tailpieces.</i>		
		<i>All systems use Graver Technologies Metsorb media for safe, efficient arsenic reduction.</i>		
		<i>Metsorb is safe for disposal in public landfill sites and environmentally friendly even after arsenic exhaustion.</i>		
		FAM Series Arsenic Reduction Systems		
49		1.0 CF Arsenic Reduction Filter, with Jacket	FAM10CC	
50		2.0 CF Arsenic Reduction Filter, with Jacket	FAM20CC	
51		3.0 CF Arsenic Reduction Filter, w/o Jacket	FAM30CC	
		Metsorb Arsenic Media		
52		Metsorb, (Reduction of Arsenic and Heavy Metals), 1CF, 40lbs.	RTG1AL0000BG01CF	
53		Metsorb, 1CF, 42 bag pallet	RTG1AL0000BG01CF42	



Waterite's Environmental Commitment...

Waterite **AQUALEAF** symbol....will now be displayed with all Waterite products that use recycled material, are environmentally neutral or reduce emissions or waste beyond industry norms.





OTHER REQUIRED INFORMATION FOR METSORB APPLICATION

For optimum **METSORB** performance in the reduction of arsenic and heavy metals, please provide your Waterite customer service and sales centre with the following water analysis characteristics:

- Arsenic (V) Arsenic (III) pH Silica**
Iron Manganese Total Hardness Turbidity
 Other water characteristics that are useful in determining performance are:
TDS Sulphate Boron Alkalinity Uranium Selenium Vanadium
and other Oxyanions


ARSENIC REDUCTION FILTER SYSTEM SPECIFICATIONS

ARSENIC SYSTEM SPECIFICATIONS	Model	Tank	Media	Media	B/W Rate	Height	Fusion²
		Size	CF	Type	GPM		Valve
	FAM10CC	1054	1.5	METSORB	5.3	62"	CC
	FOB 20	1354	2.0	METSORB	10.6	62"	CC
	FOB 30	1465	3.0	METSORB	13.0	73"	CC

REF.	PRODUCT TYPE	DESCRIPTION	P/N	LIST PRICE EA	
	<p>Waterite Excelflow™ by Wave Cyber</p> <p>FIBRE WOUND RESIDENTIAL MINERAL TANKS 150psi operating pressure 120F (40C) max for threaded openings</p> 	Residential Mineral Tanks <i>Standard Base and 21/2" top</i> <i>*Color P/N Suffix: Black EBL, Natural EN</i>			
1		Fibre Wound Mineral Tank - 8X35E	WC835*	\$135.50	
2		Fibre Wound Mineral Tank - 8X44E	WC844*	\$141.00	
3		Fibre Wound Mineral Tank - 9X40E	WC940*	DISCONTINUED	
4		Fibre Wound Mineral Tank - 9X42E	WC942*		
5		Fibre Wound Mineral Tank - 9X48E	WC948*		
6		Fibre Wound Mineral Tank - 10X35E	WC1035*		
7		Fibre Wound Mineral Tank - 10X44E	WC1044*		
8		Fibre Wound Mineral Tank - 10X47E	WC1047*		
9		Fibre Wound Natural Tank - 10X54E	WC1054*		
10		Fibre Wound Natural Tank - 12X48E	WC1248*		
11		Fibre Wound Natural Tank - 12X52E	WC1252*		
12		Fibre Wound Natural Tank - 13X54E	WC1354*		
13		Fibre Wound Natural Tank - 14X52E	WC1452*		
14		Fibre Wound Natural Tank - 14X65E	WC1465*		
15	Fibre Wound Natural Tank - 14X65E, 4" Top	WC1465*4			
	<p>COMMERCIAL TANKS</p>  <p>Waterite Excelflow™ by Wave Cyber</p> <p>Excelflow™</p>	Commercial Mineral Tanks <i>Standard Base, 4" Top (except as noted)</i>			
16		Fibre Wound Natural Tank - 16X65E	WC1665*		
17		Fibre Wound Natural Tank - 18X65E	WC1865EN		
18		Fibre Wound Natural Tank - 21X62E	WC2162EN		
19		Fibre Wound Natural Tank - 24X72E	WC2472EN		
20		Fibre Wound Natural Tank - 30X72E (6" Flanged Top)	WC3072EN		
21		Fibre Wound Natural Tank - 36X72E (6" Flanged Top)	WC3672EN		
22		<i>Tripod Base, Top and Bottom Openings, 4"-8UN</i>			
23		Fibre Wound Natural Tank - 18X65E, 2X4"	WC1865EN24		
24		Fibre Wound Natural Tank - 21X62E	WC2162EN24		
25		Fibre Wound Natural Tank - 24X72E	WC2472EN24		
26		Fibre Wound Natural Tank - 30X72E (6" Flanged Openings)	WC3072EN24		
27		Fibre Wound Natural Tank - 36X72E (6" Flanged Openings)	WC3672EN24		
		<i>24" through 36" Excelflow/Wave Cyber commercial tanks may be ordered with a 6" flanged top or bottom</i>			
		6" Flanged Opening, per flange	WCF6		
		<i>Extended Base, 6" Flanged Top and Bottom</i>			
28		Fibre Wound Almond Tank - 42X72, c/w 6" Flanged Bottom*	WC4272ENF2		
29		Fibre Wound Almond Tank - 48X72, c/w 6" Flanged Bottom*	WC4872ENF2		
30	Fibre Wound Almond Tank - 63X67, c/w 6" Flanged Bottom*	WC6367ENF2			
31	Fibre Wound Almond Tank - 63X86, c/w 6" Flanged Bottom*	WC6386ENF2			
32	6" Flange Kit /4" Flange Adapter	TA6040FL			

*adapters required

REF.	PRODUCT TYPE	DESCRIPTION	P/N	LIST PRICE EA
	 <p>TANK ACCESSORIES</p>	Tank Accessories		
		Custom Tank Jackets - Wrap Style		
31		<i>Other colours and custom sizes available from stock - 8", 9"</i>		
32		<i>and 10" now fabricated by Waterite. Call for custom pricing.</i>		
33		Tank Jacket - Black, Wave Cyber 942	TJ0942BW	
34		Tank Jacket - Black, Wave Cyber 1054	TJ1054BW	
		Tank Manifolds (Static Valves)		
		<i>Moulded ABS</i>		
35		Static Valve, w// Fill Cap, 2 1/2", 3/4" connections, 13/16" riser	375811	
36		Static Valve, 2 1/2" opening, 1" connections, 1.05" riser	PF50090	
37	Static Valve, 4" opening, 2" connections, 1 1/2" riser	PF50094		
	 <p>G21517CB1C00 in black BT1637A in almond</p> <p>BRINE TANKS AND ACCESSORIES</p>	Residential Brine Tanks, 100L Capacity		
38		Brine Tank w/ Cover, Rectangular, 15X15X35, Almond	BT1637A	
39		Brine Tank w/ Cover, Rectangular, 15X15X35, Black	G21517CB1C00	
40		Brine Tank w/ Cover, Round, 18X40, Black	G21840CB1C00	
		Pre-Assembled Residential Brine Tanks		
		<i>(incl. brine well, pick-up tube, fittings and line to softener)</i>		
41		Brine Tank, 15X15X35, Standard Configuration	BT1	
42		Brine Tank as above, c/w Brine Safety System	BT2	
		Commercial Brine Tanks		
43		Round Brine Tank, Black - 24" X 50"	PT21274	
44	Round Brine Tank, Black - 30" X 48"	PT21276		
45	Round Brine Tank, Black - 39"X 48"	PT21278		
	Brine Wells and Components			
46	*	36543601		
47	4" Cap	36540000		
48	Brine Well, Oval, 32", w/ 1Cap	36523211	DISCONTINUED	
49	Oval Cap	3652000	DISCONTINUED	
50	Brine Well, Commercial 5" w/ Cap	PF50163		
51	Brine Valve Assy., Commercial	CC30526		
52	Brine Valve Assembly w/ Air Check	BV		
53	Brine Valve Assy. w/o Air Check	BVNAC		
	 <p>RISER TUBES AND DISTRIBUTOR ACCESSORIES</p>	Riser Tubes and Parts		
54		13/16" Riser, 54"	D730A2A54	
55		13/16" Riser, 65"	D730A2A65	
56		1" Riser, 55"	D750C2A54	
57		1" Riser, 65"	D750C2A65	
58		Upper Basket, 13/16"	D1207	
59		Upper Basket, 1"	D1206	
60		Lower Basket, 13/16"	D1211	
61		Lower Distributor, 1"	D121304	
62		Lower Distributor, 1", High Flow	D121204	
63	13/16" Upper Media Screen, Twist Lock	D120301		
64	1" Upper Media Screen, Twist Lock	D1203		

REF.	PRODUCT TYPE	DESCRIPTION	P/N	LIST PRICE EA	
	 <p>TANK FITTINGS</p> 	Brine and Mineral Tank Parts			
		<i>Fittings</i>			
65		Bypass Drain Fitting, 1/2"x1/2"x 90	462088		
66		Brine Tank Overflow Fittings: Overflow Elbow	710111		
67		Overflow Nut	710112		
68		T-1000 Drain Fitting 1/2" FT	46512		
69		Compression Coupler, 3/8", Nylon	PF52180		
70		Air Check Fitting, Old Style	PF50031		
71		Brine Pickup Fitting, 90	NE38380D		
72		Air Check Fitting, New Style	47450604NO		
73		268 Pickup Tube Fitting	474506060NO		
74		3/8"x1/2" Straight Drain Fitting, Nylon	4601068		
75		3/8"x1/2" 90 Drain Fitting, Nylon	4602068		
76		1/2"x1/2" 90 Drain Fitting, Nylon	4602088		
77	1/2"x1/2" Straight Drain Fitting, Nylon	4601088			
78	32" Brine Pickup Tube	09004361	DISCONTINUED		
79	32" Brine Pickup Tube w/ check Type B	09006361			
	 <p>POLY TUBE</p> 	Plastic Tubing			
		<i>Order in 100' Rolls - Translucent</i>			
80		1/4" Poly Tube - 100' rolls	3634100		
81		3/8" Poly Tube - 100' rolls	3636100		
82		1/2" Poly Tube	3638100		
83	5/8" Poly Tube - 100m rolls	T1008B			



Excelflow™
MINERAL TANK
SPECIFICATION SHEET



Tank Size	Volume		Weight (Kg)	Dome-hole	Opening		Base	Dimensions (mm)			
	L	Cu. ft.			Top	Bottom		A	B	C	D
18 x 36	138.00	4.87	21.40	N/A	4"-SUN	N/A	Standard	1000	458	N/A	486
18 x 53	211.00	7.45	30.00	N/A	4"-SUN	N/A	Standard	1432	458	N/A	486
18 x 65	257	9.08	35.90	N/A	4"-SUN	N/A	Standard	1723	458	N/A	486
			37.55	N/A	4"-SUN	4"-SUN	Tripod	2027	487	347	486
	261	9.23	40.00	N/A	6"-FLG	N/A	Standard	1776	458	N/A	485
			47.60	N/A	6"-FLG	6"-FLG	Tripod	2079	487	292	485
21 x 36	164.00	5.79	25.10	N/A	4"-SUN	N/A	Standard	1002	522	N/A	550
21 x 53	253.00	8.94	35.30	N/A	4"-SUN	N/A	Standard	1434	522	N/A	550
21 x 62	330.00	11.66	41.10	N/A	4"-SUN	N/A	Standard	1721	522	N/A	550
			48.55	N/A	4"-SUN	4"-SUN	Tripod	2064	550	394	550
			47.00	N/A	6"-FLG	N/A	Standard	1783	522	N/A	549
			55.60	N/A	6"-FLG	6"-FLG	Tripod	2128	550	339	549
24 x 72	473.00	16.71	51.90	N/A	4"-SUN	N/A	Standard	1915	600	N/A	626
			55.00	N/A	4"-SUN	N/A	Tripod	2168	618	300	626
			56.50	N/A	6"-FLG	N/A	Standard	1977	600	N/A	624
			64.60	N/A	6"-FLG	6"-FLG	Tripod	2226	618	245	624
30 x 72	697.00	24.63	85.70	N/A	4"-SUN	N/A	Standard	1836	775	N/A	780
			90.25	N/A	4"-SUN	N/A	Tripod	2139	770	335	780
			89.60	N/A	6"-FLG	N/A	Standard	1895	775	N/A	779
			100.10	N/A	6"-FLG	6"-FLG	Tripod	2199	770	280	779
36 x 72	1011.00	35.72	115.50	N/A	4"-SUN	N/A	Standard	1856	930	N/A	938
			123.00	N/A	4"-SUN	4"-SUN	Tripod	2147	932	342	938
			117.00	N/A	6"-FLG	N/A	Standard	1919	930	N/A	931
			132.60	N/A	6"-FLG	6"-FLG	Tripod	2217	932	287	931
42 x 72	1308.00	46.20	170.00	N/A	6"-FLG	6"-FLG	Tripod	2224	1038	268	1074
48 x 72	1675.00	59.17	210.00	N/A	6"-FLG	6"-FLG	Tripod	2225	1172	295	1227



6" - 16"
Standard Base





18" - 36"
Standard Base





18" - 48"
Tripod Base

Tank Size	Volume		Weight (Kg) Empty	Opening			Base	Dimensions (mm)			
	L	Cu. ft.		Dome-hole	Top	Bottom		A	B	C	D
6 x 10	3.30	0.12	1.26	N/A	2.5"-NPSM	N/A	Standard	256	164	N/A	155
6 x 12	3.90	0.14	1.42	N/A	2.5"-NPSM	N/A	Standard	307	164	N/A	155
6 x 13	4.30	0.15	1.49	N/A	2.5"-NPSM	N/A	Standard	332	164	N/A	155
6 x 17	6.30	0.22	1.80	N/A	2.5"-NPSM	N/A	Standard	434	164	N/A	155
6 x 18	6.70	0.24	1.88	N/A	2.5"-NPSM	N/A	Standard	459	164	N/A	155
6 x 29	11.40	0.40	2.73	N/A	2.5"-NPSM	N/A	Standard	739	164	N/A	155
6 x 35	13.70	0.48	3.20	N/A	2.5"-NPSM	N/A	Standard	891	164	N/A	155
7 x 13	5.80	0.20	1.40	N/A	2.5"-NPSM	N/A	Standard	334	189	N/A	182
7 x 17	8.30	0.29	1.95	N/A	2.5"-NPSM	N/A	Standard	430	189	N/A	182
7 x 19	9.60	0.34	2.10	N/A	2.5"-NPSM	N/A	Standard	488	189	N/A	182
7 x 24	12.60	0.45	2.45	N/A	2.5"-NPSM	N/A	Standard	620	189	N/A	182
7 x 30	16.20	0.57	2.96	N/A	2.5"-NPSM	N/A	Standard	764	189	N/A	182
7 x 35	19.10	0.67	3.40	N/A	2.5"-NPSM	N/A	Standard	898	189	N/A	182
7 x 40	22.00	0.78	3.80	N/A	2.5"-NPSM	N/A	Standard	1018	189	N/A	182
7 x 44	24.30	0.86	4.05	N/A	2.5"-NPSM	N/A	Standard	1129	189	N/A	182
8 x 13	7.70	0.27	1.65	N/A	2.5"-NPSM	N/A	Standard	335	214	N/A	207
8 x 17	11.00	0.39	2.00	N/A	2.5"-NPSM	N/A	Standard	432	214	N/A	207
8 x 18	12.50	0.44	2.18	N/A	2.5"-NPSM	N/A	Standard	459	214	N/A	207
8 x 24	16.60	0.59	2.88	N/A	2.5"-NPSM	N/A	Standard	612	214	N/A	207
8 x 30	21.40	0.76	3.61	N/A	2.5"-NPSM	N/A	Standard	762	214	N/A	207
8 x 35	24.80	0.88	4.15	N/A	2.5"-NPSM	N/A	Standard	898	214	N/A	207
8 x 40	29.10	1.03	4.53	N/A	2.5"-NPSM	N/A	Standard	1018	214	N/A	207
8 x 44	32.10	1.13	4.80	N/A	2.5"-NPSM	N/A	Standard	1132	214	N/A	207
9 x 17	13.70	0.48	2.25	N/A	2.5"-NPSM	N/A	Standard	431	240	N/A	233
9 x 18	14.70	0.48	2.42	N/A	2.5"-NPSM	N/A	Standard	459	240	N/A	233
9 x 35	31.60	1.12	4.20	N/A	2.5"-NPSM	N/A	Standard	896	240	N/A	233
9 x 40	36.30	1.28	4.84	N/A	2.5"-NPSM	N/A	Standard	1018	240	N/A	233
9 x 42	38.20	1.35	5.05	N/A	2.5"-NPSM	N/A	Standard	1074	240	N/A	233
9 x 48	44.60	1.58	6.05	N/A	2.5"-NPSM	N/A	Standard	1228	240	N/A	233
10 x 16	15.60	0.55	2.91	N/A	2.5"-NPSM	N/A	Standard	410	264	N/A	258
10 x 17	16.80	0.59	3.00	N/A	2.5"-NPSM	N/A	Standard	436	264	N/A	258
10 x 18	18.00	0.64	3.17	N/A	2.5"-NPSM	N/A	Standard	461	264	N/A	258
10 x 19	19.20	0.68	3.30	N/A	2.5"-NPSM	N/A	Standard	487	264	N/A	258
10 x 30	32.40	1.14	4.49	N/A	2.5"-NPSM	N/A	Standard	762	264	N/A	258
10 x 35	38.40	1.36	5.10	N/A	2.5"-NPSM	N/A	Standard	897	264	N/A	258
10 x 40	44.90	1.59	5.86	N/A	2.5"-NPSM	N/A	Standard	1020	264	N/A	258
10 x 44	50.10	1.77	6.55	N/A	2.5"-NPSM	N/A	Standard	1126	264	N/A	258
10 x 47	54.00	1.90	6.95	N/A	2.5"-NPSM	N/A	Standard	1190	264	N/A	258
10 x 54	62.40	2.20	8.95	1-1/4"-1-1/2"NPSM	2.5"-NPSM	N/A	Standard	1200	264	N/A	258
12 x 48	79.50	2.89	7.90	N/A	2.5"-NPSM	N/A	Standard	1386	264	N/A	258
12 x 52	87.30	3.08	9.65	1-1/4"-1-1/2"NPSM	2.5"-NPSM	N/A	Standard	1338	311	N/A	310
13 x 44	84.80	3.00	8.40	N/A	2.5"-NPSM	N/A	Standard	1145	338	N/A	336
13 x 44	84.80	3.00	11.80	1-1/4"-1-1/2"NPSM	2.5"-NPSM	N/A	Standard	1140	338	N/A	336
13 x 54	105.70	3.73	10.80	N/A	2.5"-NPSM	N/A	Standard	1398	338	N/A	336
13 x 54	105.70	3.73	13.85	1-1/4"-1-1/2"NPSM	2.5"-NPSM	N/A	Standard	1400	338	N/A	338
14 x 52	115.00	4.06	12.45	N/A	2.5"-NPSM	N/A	Standard	1344	338	N/A	363
14 x 65	148.00	5.23	12.55	N/A	4.0"-8UN	N/A	Standard	1340	338	N/A	363
16 x 52	153.00	5.41	15.65	N/A	2.5"-NPSM	N/A	Standard	1674	365	N/A	363
16 x 52	153.00	5.41	15.75	N/A	4.0"-8UN	N/A	Standard	1674	365	N/A	363
16 x 65	194.00	6.86	18.65	N/A	2.5"-NPSM	N/A	Standard	1671	416	N/A	413
16 x 65	194.00	6.86	18.65	N/A	4.0"-8UN	N/A	Standard	1671	416	N/A	413

REF.	PRODUCT TYPE	DESCRIPTION	P/N	LIST PRICE EA
	 <p>COMPLETE DI TANK KITS</p>	DI TANKS, PARTS AND ACCESSORIES		
		Complete DI Tank Kits		
		<i>Includes DI tank with rubber base and tank ring,</i>		
		<i>DI tank adapter with fill port, riser, upper and lower distributors</i>		
		<i>5-year pro-rated limited warranty on DI tanks.</i>		
84		DI Tank Kit, 8X35, 3/4" I/O	WC835DIAS	
85		DI Tank Kit, 8X44, 3/4" I/O	WC844DIAS	
86		DI Tank Kit, 9X40, 3/4" I/O	WC940DIAS	
87		DI Tank Kit, 9X42, 3/4" I/O	WC942DIAS	
88		DI Tank Kit, 9X48, 3/4" I/O	WC948DIAS	
89		DI Tank Kit, 10X40, 3/4" I/O	WC1040DIAS	
90		DI Tank Kit, 10X54, 3/4" I/O	WC1054DIAS	
91		DI Tank Kit, 12X52, 1" I/O	WC1252DIAAS	
92		DI Tank Kit, 14X47, 1" I/O	WC1447DIAAS	
	Quick Adapter Kits must be ordered separately.			
	<i>Tanks up to 10" have 2 1/2" NPSM threads, 12" and up have 4 1/2" buttress threads.</i>			
	 <p>DI TANK PARTS</p>	DI Tank Parts		
		DI Tank Adapters		
93		DI Tank Adapter, 4 1/2" Buttress Thread, No Fill Port, 1" I/O	10341	
94		DI Tank Adapter, 2 1/2" NPSM, 1" Fill Port, 3/4" I/O	10350	
		DI Distributors		
95		Top Distributor for 1" (1.32"OD) Riser	50112	
96		Top Distributor for 1/2" (.84"OD) Riser	50111	
97		Lower Distributor for 1/2" (.84"OD) Riser	D1211	
98		Lower Distributor for 1" (1.32"OD) Riser	50113	
		DI Riser Tubes		
99		Riser for 52" Tank, 1" (1.32OD)	50089	
100		Riser for 47" Tank, 1" (1.32OD)	50088	
101		Riser for 35" Tank, 1/2" (.84OD)	50100	
102		Riser for 42" Tank, 1/2" (.84OD)	50102	
103	Riser for 40" Tank, 1/2" (.84OD)	50103		
104	Riser for 44" Tank, 1/2" (.84OD)	50101		
105	Riser for 48" Tank, 1/2" (.84OD)	50104		
106	Riser for 54" Tank, 1/2" (.84OD)	50105		
	DI Quick Connector Components:			
107	QC1, 3/4" MNPT X Male Quick-Connect Coupling	10379		
108	QC2, 1" MNPT X Male Quick-Connect Coupling	10372		
109	QC3, 3/4" ID Hose X Male Quick-Connect Coupling	10378		
110	QC4, 1" ID Hose X Male Quick-Connect Coupling	10373		
111	QC5, 3/4" MNPT X Female Quick-Connect Coupling	10383		
112	QC6, 1" MNPT X Female Quick-Connect Coupling	10381		
113	QC7 3/4" ID Hose X Female Quick-Connect Coupling	10384		
114	QC8, 1" ID Hose X Female Quick-Connect Coupling	10382		

REF.	PRODUCT TYPE	DESCRIPTION	P/N	LIST PRICE EA
	 Wave Cyber FIBRE WOUND DI TANKS	FIBRE WOUND DEIONIZATION TANKS		
		<i>Each complete with rubber base and tank ring</i>		
		<i>5-year pro-rated limited warranty on DI tanks.</i>		
115		DI Tank 8X35, 2 1/2"	WC835DI	
116		DI Tank 8X44, 2 1/2"	WC844DI	
117		DI Tank 9X40, 2 1/2"	WC940DI	
118		DI Tank 9X42, 2 1/2"	WC942DI	
119		DI Tank 9X48, 2 1/2"	WC948DI	
120		DI Tank 10X40, 2 1/2"	WC1040DI	
121		DI Tank 10X54, 2 1/2"	WC1054DI	
122	DI Tank, 12X52, 4 1/2"	WC1252DI		
123	DI Tank, 14X47, 4 1/2"	WC1447DI		
	NEOPRENE MINERAL TANK JACKETS 	NEOPRENE TANK JACKETS		
		<i>Decorative sweat jackets are zippered and nylon double-stitched.</i>		
		<i>Durable 3.3mm neoprene , available in Midnight Black</i>		
		<i>Custom logos available at an additional charge.</i>		
124		Neoprene Tank Jacket 9X42	TJ0942BN	
125		Neoprene Tank Jacket 10X44	TJ1044BN	
126		Neoprene Tank Jacket 10X47	TJ1047BN	
127		Neoprene Tank Jacket 10X54	TJ1054BN	
128	Neoprene Tank Jacket 12X48	TJ1248BN		

REF.	PRODUCT TYPE	DESCRIPTION	P/N	LIST PRICE EA
1	 <p>ASSORTED FILTER MEDIA</p>   	Paterson Filter Media, 1CF	A8014	
2		Birm - Regular - 1CF Bag	A8006	
3		Filter Sand (.44-.55mm) - 100 lb Bag	A8071	
4		Corosex - 50 lb. Bag	A8011	
5		Calcite - 50 lb Bag	A802101	
6		Garnet #8 - 50 lb. Bag	A8035	
7		Garnet #30-40 - 50 lb. Bag	A8037	
8		Anthracite #1 - 56 lb. Bag	A8029	
9		1/4" X 1/8" - 100 lb. Bag	A8081	
10		1/2" X 1/4" - 100 lb. Bag	A8083	
11		3/4" X 1/2" - 100 lb. Bag	A8084	
12		#20 Flint - 100 lb. Bag	A8079	
13		KDF-85 Media, 1/3 CF Pail	A801010	
14		KDF-55 Media, 1/3 CF Pail	A8010	
15		NextSand Filtration Media, 1CF, 55 lbs	A8095	
16		Metsorb, (Reduction of Arsenic and Heavy Metals), 1CF, 40lbs.	RTG1AL0000BG01CF	
16a	Metsorb, 1CF, 42 bag pallet	RTG1AL0000BG01CF42		
17	 	Waterite Centurion 12/40 Mesh Carbon - 12.5 kg Bag	PJ12X40AB	DISCONTINUED
18		Waterite Centurion 12/40 Mesh Carbon - 40 bag pallet	PJ12X40AB40	DISCONTINUED
19		Waterite Centurion 12/40 Mesh Coconut Carbon - 12.5 kg Bag	PJ12X40CC	
20		Waterite Centurion 12/40 Mesh Coconut Carbon - 40 bag pallet	PJ12X40CC40	
21		Waterite Centurion 400 Carbon, 2CF Bag	BC1240NSF	
22		Waterite Centurion 400 Carbon - 20 bag pallet	BC1240NSF40	
23		Waterite Centurion '7' Catalytic H ₂ S Red. Carbon, 1CF Bag	PJ12X40HS	
24		Calgon Centaur Carbon - 33 lb. Bag	A8056	
25	 <p>CATION SOFTENING RESINS</p> <p>SOFTENING RESINS</p>	Excelclear Standard Softening Resin* (WQA Gold Seal)	001X7NA	
26		Excelclear Premium Softening Resin* (WQA Gold Seal)	001X8NA	
27		Excelclear Fine Mesh Softening Resin	001X7NAFM	
28		Excelclear Severe Service Softening Resin (10% crosslinking for heavily chlorinated water)	ZGC110	
29		Purolite SST 60 Resin	1926221	
30	 <p>SPECIAL PURPOSE RESIN</p> 	Excelclear Nitrate Selective Resin** (WQA Gold Seal)	ZGD890	
31		Excelclear Strong Base Anion Type II Resin	ZGA302	
32		Excelclear Mixed Bed Deionization Resin (Strong Acid Cation & Strong Base Anion - Type II)	MBX115	
33		Excelclear Mixed Bed Deionization Resin (Strong Acid Cation & Strong Base Anion - Type I)	MBX118	
34		Excelclear Colour/Tannin Macroporous Resin (Polyacrylic)	ZGD730	

*Excelclear 001X7NANS and 001X8NANS cation standard softening resins conform to ANSI/NSF Standard 44 for material requirements only.

**Excelclear ZGD890 nitrate selective anion resin conforms to ANSI/NSF Standard 61 for material requirements only.

REF.	DESCRIPTION	DESCRIPTION	=
	 IRON, MANGANESE AND H2S REDUCTION MEDIA 	Iron, Manganese and H2S Reducing Filter Medias	
35		Manganite Greensand- 1CF Bag (<i>WQA Gold Seal</i>)	MGS100
36		Inversand Greensand Plus - 0.5CF Bag	A8041
37		MTM Iron Removal Media - 45 lb. Bag (1CF)	A8012
38		Pyrolox Iron Removal Media - 50 lb. Bag	A8004

Ion Exchange Resin Equivalent Reference Chart*



C 100X10
SST 60
A 400
A 300
 A 850 (polyacrylic)
 A 860 (polyacrylic)
 NRW 38
 NRW 37
 A520E
 C100
 C100E

N/A
 N/A
 A 23P
 A 32
 A72MP (polystyrene)
 A72MP (polystyrene)
 MB 112
 MB 108P
 N/A
 T42
 T40

ZGC110
 N/A
ZGA304
ZGA302
 N/A
ZGD730 (polyacrylic)
MBX115
MBX118
ZGD890
001X7NA
001X8NA

* stock resins shown in blue

Call Waterite for pricing and application information on other special purpose resins:

- Condensate Polishing*
- Pharmaceutical*
- Nuclear*
- Catalytic*
- Chelating*
- Special Applications*